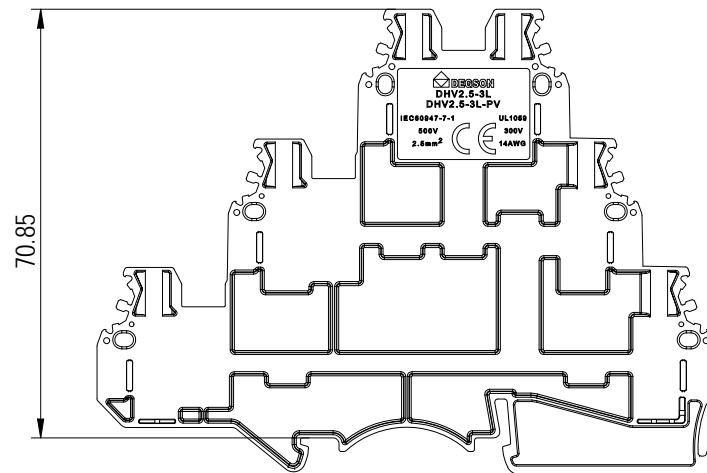
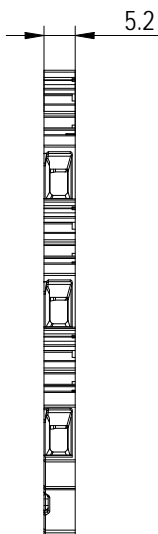
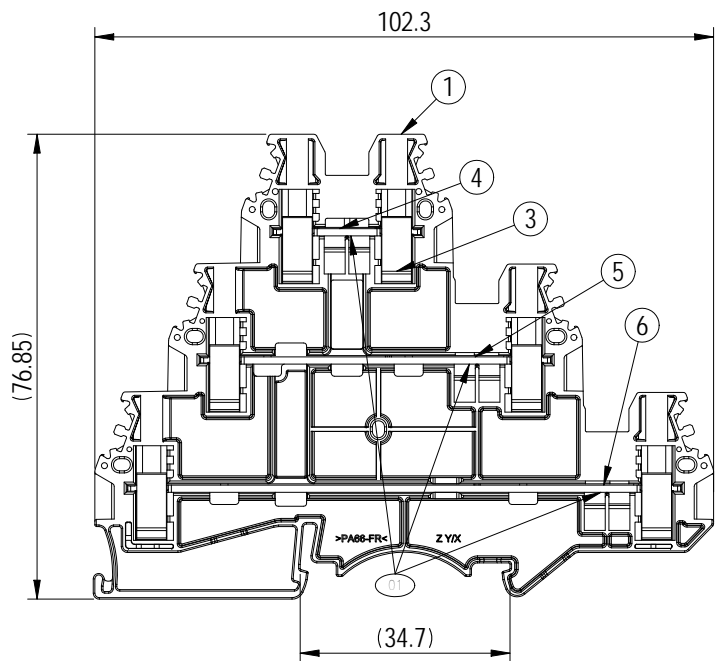




②



未注公差/General tolerances (mm)												0.1/10		
0	>3	>6	>10	>18	>30	>50	>80	>120	>180	>250	>315		>400	>500
±0.12	±0.18	±0.22	±0.26	±0.31	±0.37	±0.57	±0.80	±0.93	±1.05	±1.15	±1.60	±2.20	±2.50	±2'
UL 标准/UL Standard:											B	C	D	
额定电压/电流/Rated Voltage(V)/Current(A)											300/20	300/20	/	
IEC 标准/IEC Standard:														
过压类别/Overvoltage Category/污染等级/Pollution Degree											III/3	III/2	II/2	
额定电压/电流/Rated Voltage(V)/Current(A)											500/19	/	/	
额定脉冲电压(KV)/Rate Impulse Voltage(KV)											6	/	/	
螺丝扭矩/Torque Tightening(N·m/Lb.in)											M3, 0.5~0.6/4.43~5.32			
线径范围(硬线和软线)/Wire Range(rigid and flexible)(AWG/mm²)											26~14 / 0.14~2.5 最大裸线: 12AWG/4mm²			
间距/Pitch(mm)/线数范围/Poles											5.2/N=01P			
剥线长度/Stripping length(mm)											7~8			
环境温度 (运行) /Ambient temperature (operation) (°C)											-60~+105(最高短期工作温度, 电气特性相对温度。)			
符合RoHS环保要求/Conform to RoHS											Yes			

ITEM	NAME OF PART	MATERIAL	NOTES
6	Long Current Carrier	Copper Alloy	Sn Plated
5	Middle Current Carrier	Copper Alloy	Sn Plated
4	Current Carrier	Copper Alloy	Sn Plated
3	Cage	Copper Alloy	Ni Plated
2	Screw	Copper Alloy	M3 Ni Plated
1	Housing	PA66	UL94 V-0

		MATERIAL:		SURFACE/COLOR:	
		MAT NO./REV: 11090000035-1 / 00.01		MAT STATUS: 小批量	
APPD: PENG M	2024.08.01	NAME			
CHKD: GAO WG	2024.08.01	DHV2.5-3L-01P-11-00Z (H)			
DRFT: LIU Y	2024.07.31				
DRAWING NO.	TYPE	DRAWING STATUS	SCALE	SHEET	
200283756	CUSTOMER DRAWING	已发布	1:1	1/1	

REV	ECN	DESCRIPTION	DRFT	DATE
01		Design change housing and current carrier parts.	LIU Y	2024.07.31

Transfer or duplication of this document as well as the utilization or communication of its contents are prohibited unless authorized in writing by Degson. All rights reserved for patent, utility model or design registrations. 除专利权明确标注外, 其他禁止转让、复制或用于其他用途。未经授权, 严禁复制或传播本文件内容。本公司保留对本文件的所有权利。