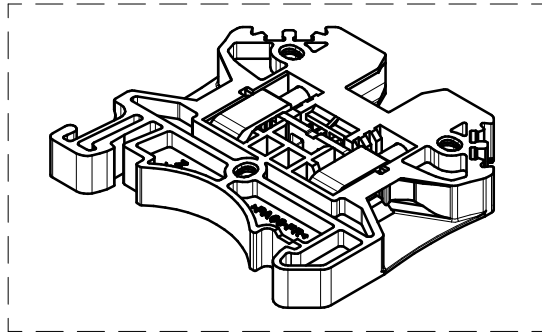
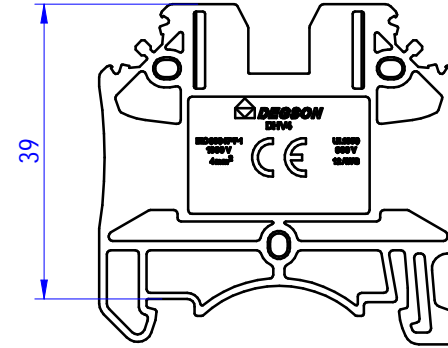
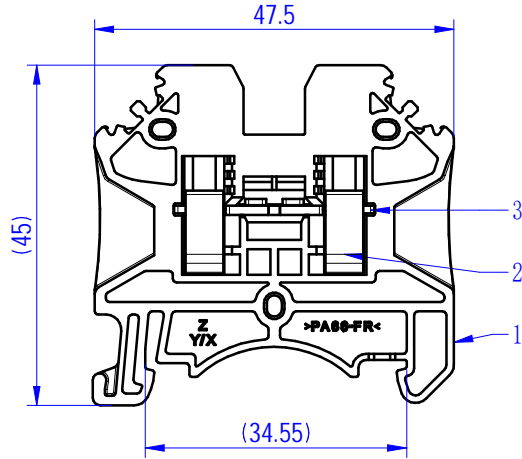
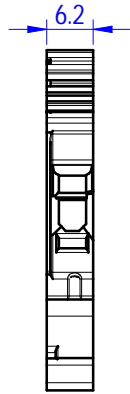
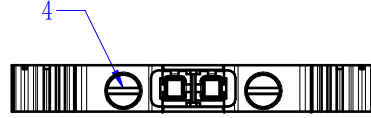


未注公差/General tolerances (mm)													0.1/10	
0	>3	>6	>10	>18	>30	>50	>80	>120	>180	>250	>315	>400		>500
~3	~6	~10	~18	~30	~50	~80	~120	~180	~250	~315	~400	~500	>500	
±0.12	±0.18	±0.22	±0.26	±0.31	±0.37	±0.57	±0.80	±0.93	±1.05	±1.15	±1.60	±2.20	±2.50	±2'



4	Screw	Copper Alloy	M3 Ni Plated
3	Current Carrier	Copper Alloy	Sn Plated
2	Cage	Copper Alloy	Ni Plated
1	Housing	PA66	UL94 V-0
ITEM	NAME OF PART	MATERIAL	NOTES

UL 标准/UL Standard:	B	C	D
额定电压/电流/Rated Voltage(V)/Current(A)	600/30	600/30	/
IEC 标准/IEC Standard:			
过压类别/Overvoltage Category/污染等级/Pollution Degree	III/3	III/2	II/2
额定电压/电流/Rated Voltage(V)/Current(A)	1000/32	/	/
额定脉冲电压(KV)/Rate Impulse Voltage(KV)	8	/	/
螺丝扭矩/Torque Tightening(N·m/Lb.in)	M3, 0.6~0.8/5.29~7.12		
线径范围(硬线和软线)/Wire Range(rigid and flexible)(AWG/mm²)	26~12/0.14~4.0 最大裸线: 10AWG/6mm²		
间距/Pitch(mm)/线数范围/Poles	6.2/N=01P		
剥线长度/Stripping length(mm)	9~10		
环境温度(运行)/Ambient temperature (operation) (°C)	-60~+105(最高短期工作温度, 电气特性相对温度。)		
符合RoHS环保要求/Conform to RoHS	Yes		

DEGSON		MATERIAL:	SURFACE/COLOR: Ra1.12		
APPD: Peng M 2024.06.28		MAT NO./REV: 11010001078-1 / 02	MAT STATUS: 批量		
CHKD: Gao WG 2024.06.28		NAME			
DRFT: Gao WG 2024.06.28		DHW4-01P-11-00A&Z (H)			
DRAWING NO.	TYPE	DRAWING STATUS	SCALE	SHEET	
200104962	CUSTOMER DRAWING	被替代, 已发布	1:1	1/1	

REV	ECN	DESCRIPTION	DRFT	DATE	比例
08		产品结案, 发行量产图纸	Gao WG	2024.06.28	A4

Transfer or duplication of this document as well as the utilization or communication of its contents are prohibited unless authorized in writing by Degson. All rights reserved for patent. Utility model or design registrations. 除专利、实用新型、外观设计、发明专利、软件著作权、集成电路布图设计专有权、集成电路布图设计备案、其他知识产权外, 所有权利均保留。 未经授权, 禁止复制或传播本文件内容。 未经授权, 禁止复制或传播本文件内容。