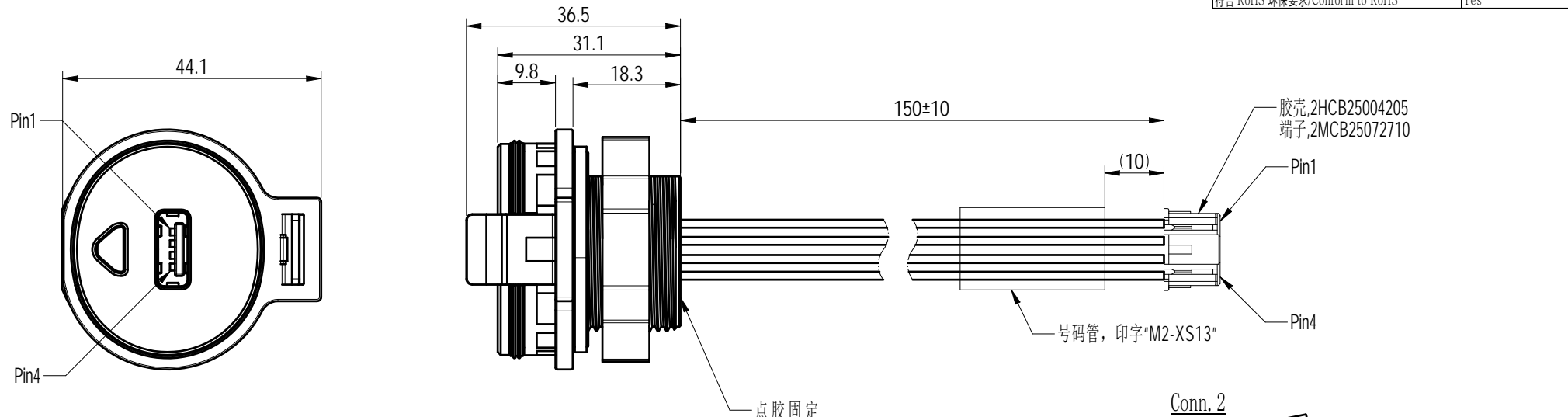
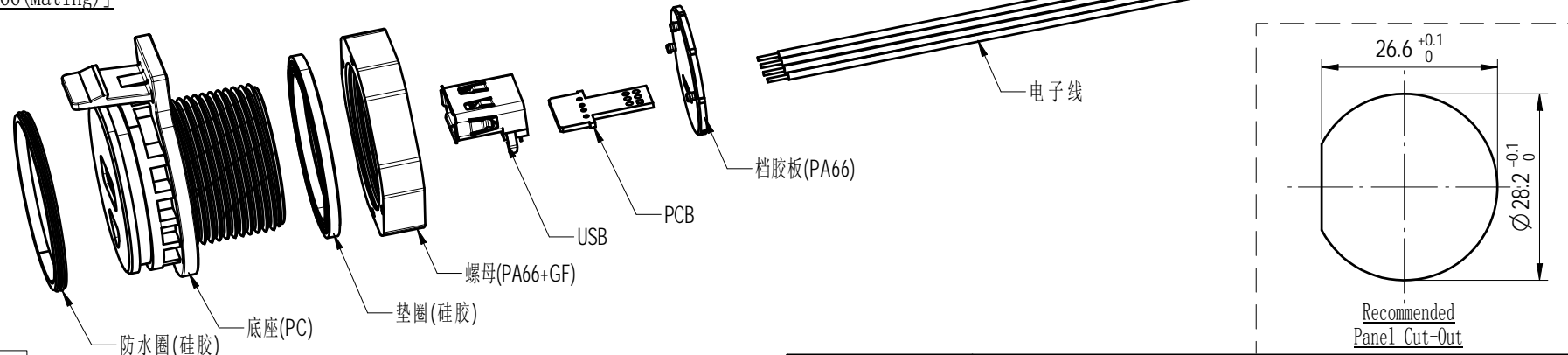


Dimensional tolerances(mm)					Length tolerances(mm)				0.1/10 ±2°
0	>30	>60	>100	>150	0	>5000	>10000	>30000	
-	-	-	-	-	-	-	-	-	
±0.25	±0.35	±0.55	±0.80	±1.10	±.55	±105	±205	±505	

额定电压/Rated Voltage/Current	12V /0.7A
绝缘电阻/Insulation resistance	≥100MΩ
插拔次数/Mechanical working life(mating cycles)	100
使用温度范围/Operating temperature(°C)	-40~85
防护等级/Ingress protection	IP66(Mated)
线缆规格/Cable Specification	UL1061 22AWG
符合 RoHS 环保要求/Conform to RoHS	Yes



Conn. 1 [IP66 (Mating)]



4	2	黑	4
3	4	绿	3
2	5	白	2
1	6	红	1
Conn. 1	PCB板	Wire Color	Conn. 2
Pin Out			

01		增加开孔尺寸	袁子华	2024.08.19
REV	ECN	DESCRIPTION	DRFT	DATE

		MATERIAL:	SURFACE/COLOR:		
APPD: 刘剑 2024.08.20		MAT NO./REV: 29030000052-1 / 01		MAT STATUS: 小批量	
CHKD: 于进海 2024.08.19		NAME			
DRFT: 袁子华 2024.08.19		PV-ST-US-FM-PBC-01P-6-02Z(H)			
DRAWDING NO. 200295309		TYPE CUSTOMER DRAWING		DRAWING STATUS work	
SCALE 1:1		SHEET 1/1			

Transfer or duplication of this document as well as the utilization or communication of its content are prohibited unless authorized in writing by Degson. All rights reserved for patent. 未经授权，禁止复制或传播本文件内容。保留所有权利，未经许可，不得复制或传播本文件内容。