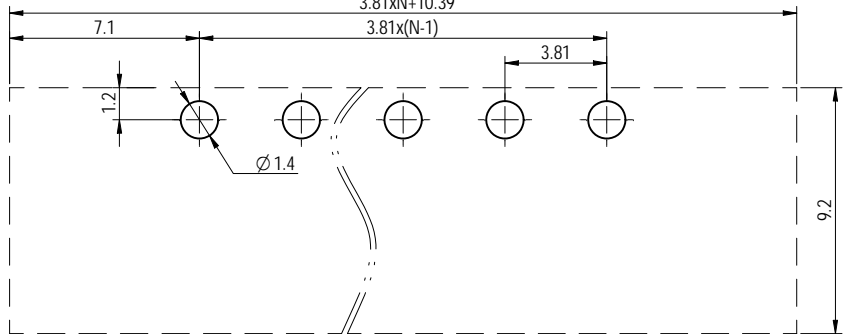
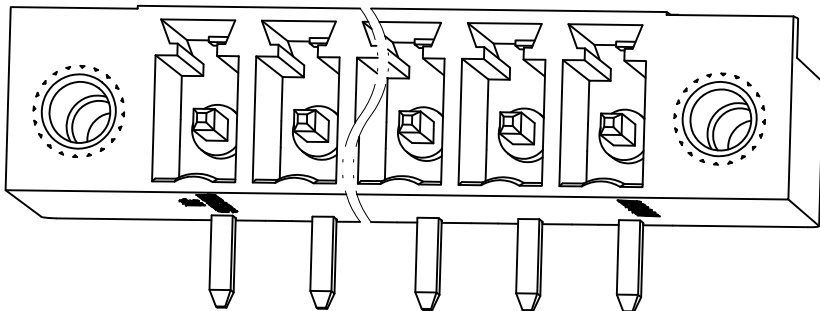
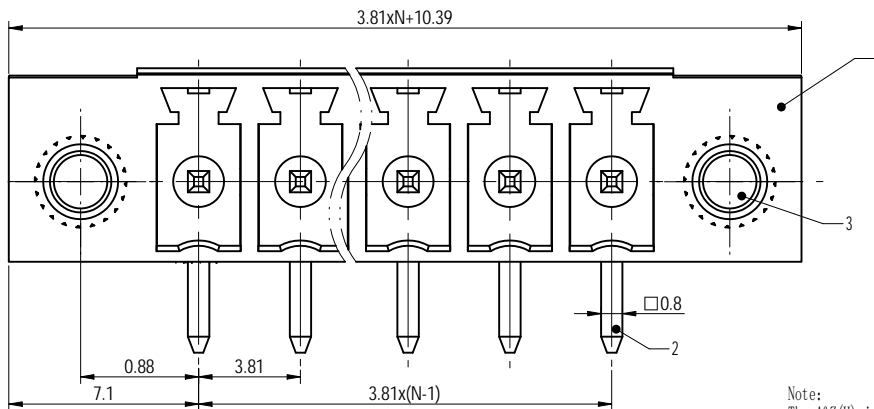
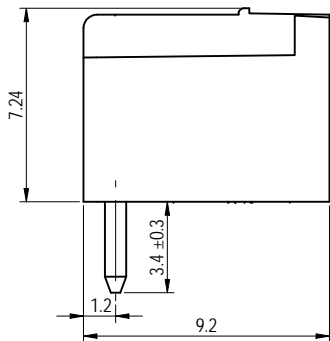
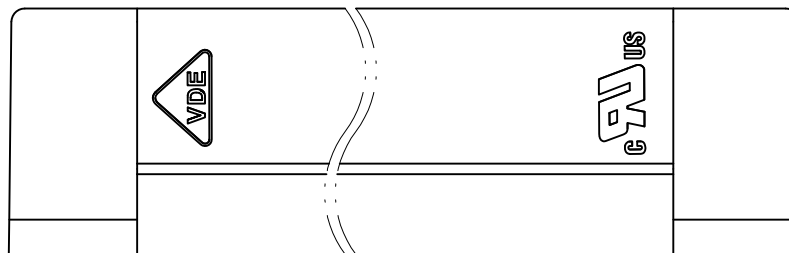


PCB LAYOUT

3.81xN+10.39



未注公差/General tolerances (mm)													D	
0	>3	>6	>10	>18	>30	>50	>80	>120	>180	>250	>315	>400	>500	0.1/10
~	~	~	~	~	~	~	~	~	~	~	~	~	~	N
±0.12	±0.18	±0.22	±0.26	±0.31	±0.37	±0.57	±0.80	±0.93	±1.05	±1.15	±1.60	±2.20	±2.50	±2



Note:
The A&Z(H) in the name means: A(H) and Z(H).

3	Nut	Copper alloy	M2.5
2	Pin	Copper alloy	Sn plated
1	Housing	PA66	UL94V-0
ITEM	NAME OF PART	MATERIAL	NOTES

UL 标准/UL Standard:		B	C	D
额定电压/电流/Rated Voltage(V)/Current(A)		300/8	/	300/8
IEC 标准/IEC Standard:				
过压类别/Overvoltage Category/污染等级/Pollution Degree		III/3	II/2	II/2
额定电压/电流/Rated Voltage(V)/Current(A)		/	/	250/7
额定脉冲电压(KV)/Rate Impulse Voltage(KV)		/	/	2.5
间距/Pitch(mm)/线数范围/Poles		3.81/N=02-20P		
使用温度范围/Operating temperature(°C)		-40~+105		
符合RoHS环保要求/Conform to RoHS		Yes		
标准颜色编号/Standard color number: PANTONE / RAL		/		

	MATERIAL:	SURFACE/COLOR:		
	MAT NO./REV: - / 00.01	MAT STATUS: 批量		
APPD: 兰春华	2022.11.16	NAME:		
CHKD: 袁耀志	2022.11.16	15EDGRMG-3.81-XXP-1Y-00A&Z(H)		
DRFT: 方哲盛	2022.11.16	DRAWING NO.	TYPE	DRAWING STATUS
		200019454	CUSTOMER DRAWING	已发布
SCALE	SHEET			
5:1	1/1			

REV	ECN	DESCRIPTION	DRFT	DATE
00			方哲盛	2022.11.16

Transfer or duplication of this document as well as the utilization of its contents without the written consent of the copyright holder is prohibited. All rights reserved for patent.