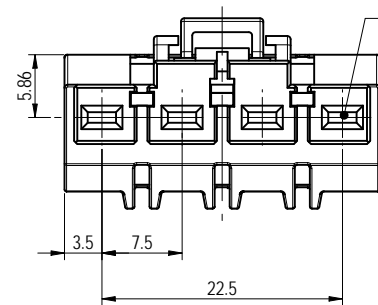
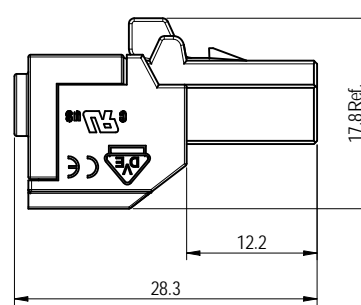
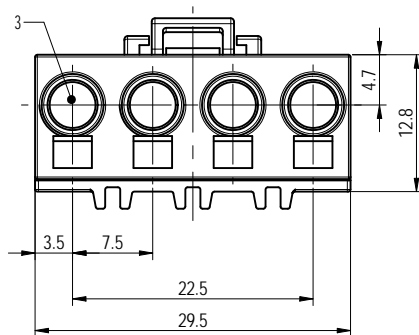
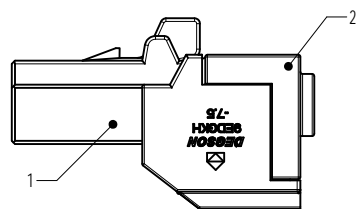
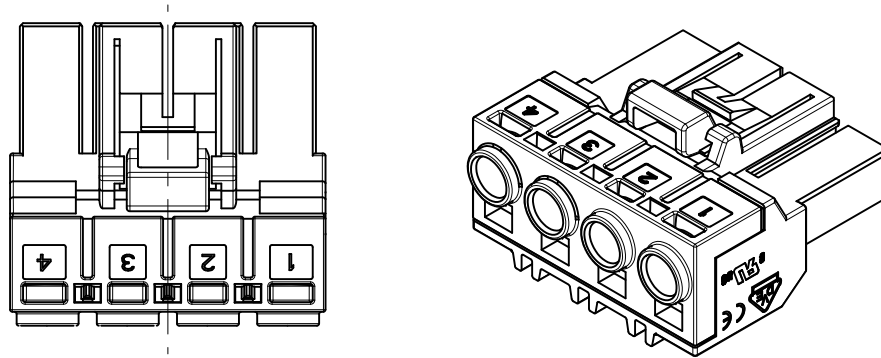


未注公差/General tolerances (mm)										0.1/10			
0	>3	>6	>10	>18	>30	>50	>80	>120	>180		>250	>315	>400
~	~	~	~	~	~	~	~	~	~	~	~	~	~
3	6	10	18	30	50	80	120	180	250	315	400	500	>500
±0.12	±0.18	±0.22	±0.26	±0.31	±0.37	±0.57	±0.80	±0.93	±1.05	±1.15	±1.60	±2.20	±2.50
UL 标准/UL Standard:										B	C	D	
额定电压/电流/Rated Voltage(V)/Current(A)										600/16	600/16	/	
IEC 标准/IEC Standard:													
过压类别/Overvoltage Category/污染等级/Pollution Degree										III/3	III/2	II/2	
额定电压/电流/Rated Voltage(V)/Current(A)										/	1000/20	/	
额定脉冲电压(KV)/Rate Impulse Voltage(KV)										/	8	/	
线径范围(硬线和软线)/Wire Range(rigid and flexible)(AWG/mm <sup>2</sup> )										28~14, 12Sol/ 0.2~2.5			
剥线长度/Stripping length(mm)										8~9			
使用温度范围/Operating temperature(°C)										-40~+105			
符合RoHS环保要求/Conform to RoHS										Yes			



Note:  
The A&Z(H) in the name means:A(H) and Z(H).

4	Clamp	Copper alloy	Au Plated Area
3	Spring	Stainless Steel	/
2	Cover	PA66+GF	UL94V-0
1	Housing	PA66+GF	UL94V-0
ITEM	NAME OF PART	MATERIAL	NOTES

<b>DIIGSON</b>		MATERIAL:		SURFACE/COLOR:	
APPD: 兰春华	2023.03.08	MAT NO./REV: - /00		MAT STATUS: 批量	
CHKD: 黄耀志	2023.03.08	NAME: 9EDGKH-7.5-04P-1Y-00A&Z(H)			
DRAFT: 周梅锦	2023.03.08	DRAWING NO. 200156335	TYPE CUSTOMER DRAWING	DRAWING STATUS 已发布	SCALE 1:1
REV	ECN	DESCRIPTION	DRAFT	DATE	SHEET 1/1

00			周梅锦	2023.03.08
REV	ECN	DESCRIPTION	DRAFT	DATE

Transfer or duplication of this document as well as the utilization of its contents in any form without the written permission of the copyright holder is prohibited. All rights reserved for patent.