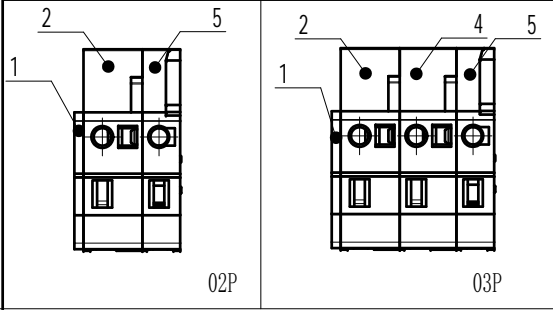
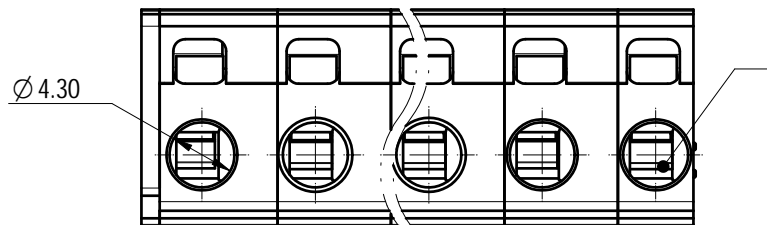
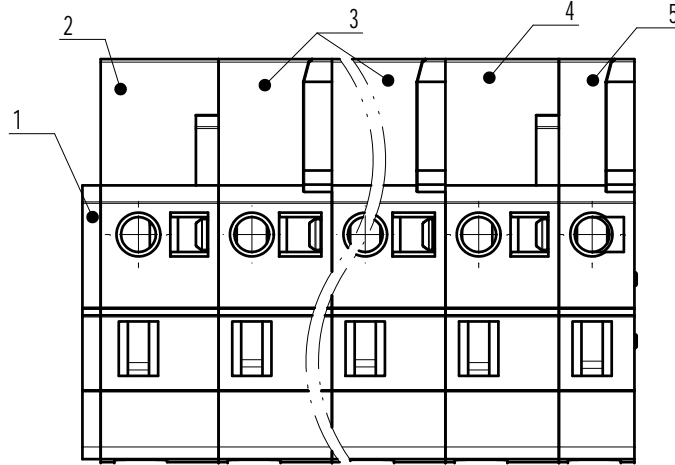
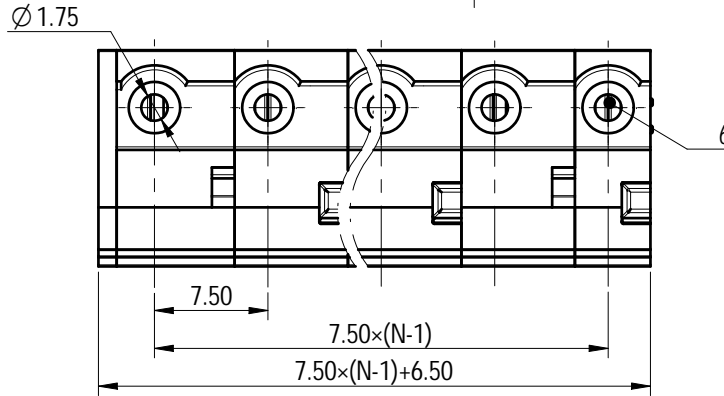
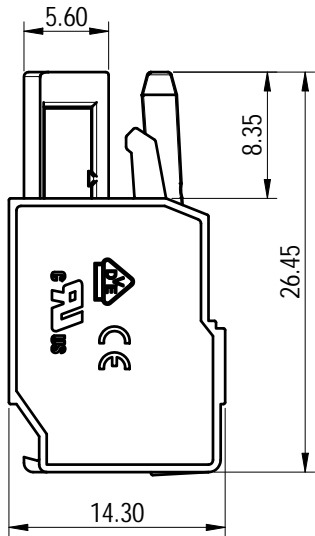


比例 1:1



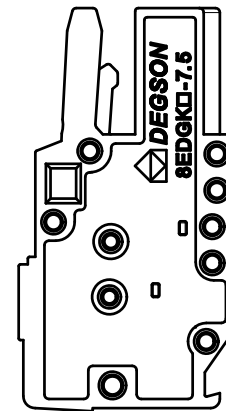
02P

03P



未注公差/General tolerances (mm)												
0	>3	>6	>10	>18	>30	>50	>80	>120	>180	>250	>315	>400
~3	~6	~10	~18	~30	~50	~80	~120	~180	~250	~315	~400	~500
±0.12	±0.18	±0.22	±0.26	±0.31	±0.37	±0.57	±0.80	±0.93	±1.05	±1.15	±1.60	±2.20
												±2.50

ITEM	NAME OF PART	MATERIAL	NOTES
7	Spring	Stainless Steel	/
6	Clamp	Copper alloy	Sn Plated
5	Side Housing 1	PA66	UL94V-0
4	Housing 2	PA66	UL94V-0
3	Housing 1	PA66	UL94V-0
2	Side Housing	PA66	UL94V-0
1	Cover	PA66	UL94V-0



Note: The A&Z(H) in the name means: A(H) and Z(H).

	B	C	D
UL 标准/UL Standard:			
额定电压/电流/Rated Voltage(V)/Current(A)	300/15	/	/
IEC 标准/IEC Standard:			
过压类别/Overvoltage Category/污染等级/Pollution Degree	III/3	III/2	II/2
额定电压/电流/Rated Voltage(V)/Current(A)	400/20	/	/
额定脉冲电压(KV)/Rate Impulse Voltage(KV)	4	/	/
线径范围(硬线和软线)/Wire Range(rigid and flexible)(AWG/mm ²)	22~14 / 0.2~2.5		
间距/Pitch(mm)/线数范围/Poles	7.50/N=02~12P		
剥线长度/Stripping length(mm)	9~10		
使用温度范围/Operating temperature(°C)	-40~+105		
符合RoHS环保要求/Conform to RoHS	Yes		

		MATERIAL:	SURFACE/COLOR: PANTONE 428C		
APPD: 蓝贵凡 2023.01.31		MAT NO./REV: - / 00	MAT STATUS: 批量		
CHKD: 曹利彬 2023.01.31		NAME			
DRFT: 姜民洁 2023.01.31		8EDGK-7.5-XXP-11-1001A&Z(H)			
DRAWING NO. 200140285		TYPE	DRAWING STATUS	SCALE	SHEET
A4		CUSTOMER DRAWING	已发布	2:1	1/1

REV	ECN	DESCRIPTION	DRFT	DATE
00				

Transfer or duplication of this document as well as the utilization or communication of its contents are prohibited unless authorized in writing by DEGSON. All rights reserved for patent. 除专利声明外，其他内容均受版权保护。未经授权，禁止复制或传播。 0.1/10