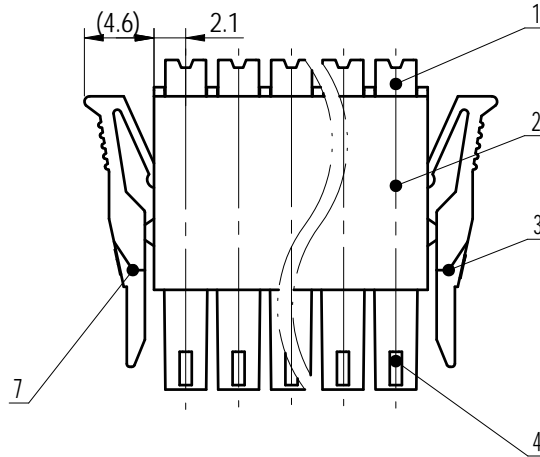
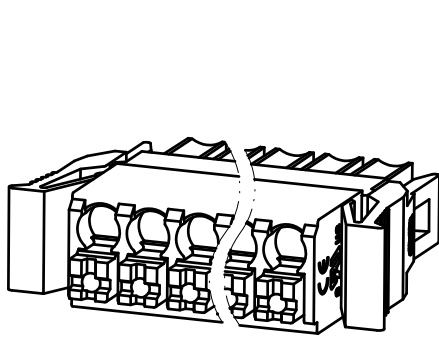
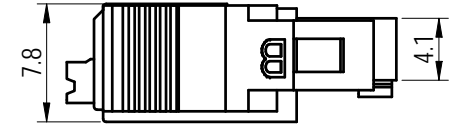
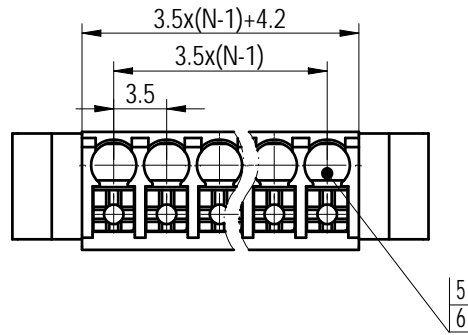
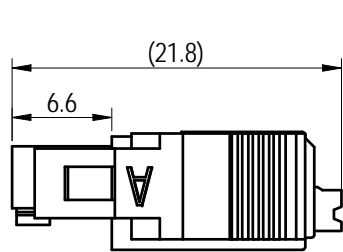


未注公差/General tolerances (mm)													0.1/10 ±2'	
0 ~ 3	>3 ~ 6	>6 ~ 10	>10 ~ 18	>18 ~ 30	>30 ~ 50	>50 ~ 80	>80 ~ 120	>120 ~ 180	>180 ~ 250	>250 ~ 315	>315 ~ 400	>400 ~ 500		>500
±0.12	±0.18	±0.22	±0.26	±0.31	±0.37	±0.57	±0.80	±0.93	±1.05	±1.15	±1.60	±2.20	±2.50	



Note:
The A&Z(H) in the name means: A(H) and Z(H).

ITEM	NAME OF PART	MATERIAL	NOTES
7	Right Pendant	PA66	UL94V-0
6	Spring	Stainless steel	/
5	Clamp	Copper alloy	Sn Plated
4	Cover	PA66	UL94V-0
3	Left Pendant	PA66	UL94V-0
2	Housing	PA66	UL94V-0
1	Button	PA66	UL94V-0

UL 标准/UL Standard:	B	C	D
额定电压/电流/Rated Voltage(V)/Current(A)	300/8	/	300/8
IEC 标准/IEC Standard:			
过压类别/Overvoltage Category/污染等级/Pollution Degree	III/3	III/2	II/2
额定电压/电流/Rated Voltage(V)/Current(A)	/	/	250/8
额定脉冲电压(KV)/Rate Impulse Voltage(KV)	/	/	2.5
线径范围(硬线和软线)/Wire Range (rigid and flexible)(AWG/mm ²)	28~16 / 0.2~1.0		
间距/Pitch(mm)/线数范围/Poles	3.50/N=02~20P		
剥线长度/Stripping length(mm)	10		
使用温度范围/Operating temperature(°C)	-40~+105		
符合RoHS环保要求/Conform to RoHS	Yes		
标准颜色编号/Standard color number: PANTONE / RAL	/		

DEGSON

APPD: 兰春华 2022.08.23
 CHKD: 龚耀志 2022.08.23
 DRFT: 刘强 2022.08.23

MATERIAL:	SURFACE/COLOR:		
MAT NO./REV:	/ 01	MAT STATUS: 批量	
NAME	15EDGKNG-3.5-XXP-1Y-1000A&Z(H)		
DRAWING NO.	TYPE	DRAWING STATUS	SCALE
200103451	CUSTOMER DRAWING	已发布	2:1
		SHEET	1/1

REV	ECN	DESCRIPTION	DRFT	DATE
00			刘强	2022.08.23

Transfer or duplication of this document as well as the utilization or communication of its contents are prohibited without express approval by Degson. Violations will be liable for compensation. All rights reserved for patent, utility model or design registrations. 除非指明授权，否则禁止转让、复制、引用、发布本文档的任何内容。未经授权擅自复制或传播 Degson 的任何内容均属于侵权行为。Degson 保留所有权利。