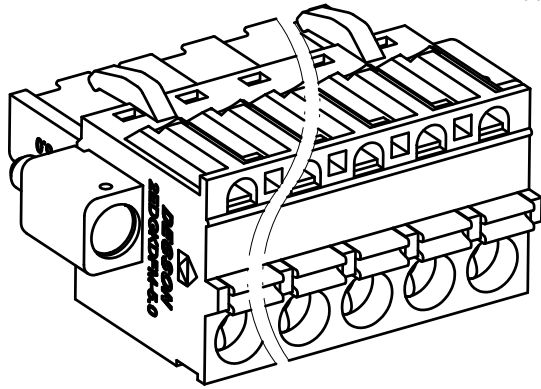
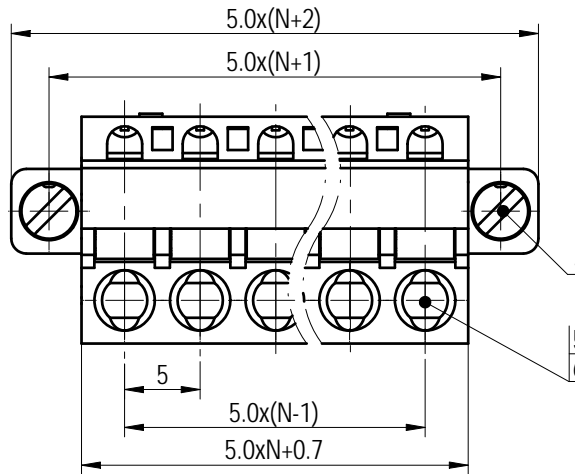
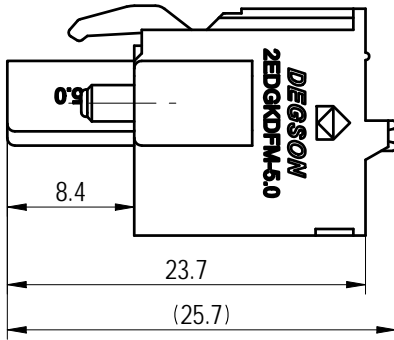
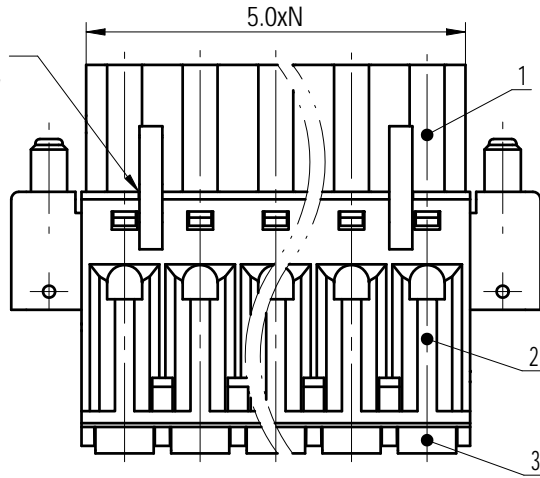


Transfer or duplication of this document as well as the utilization or communication of its contents are prohibited unless explicit authorization is granted. Violations will be liable for compensation. All rights reserved for patent, utility model or design registrations. 除非得到明确授权，否则禁止转让、复制、引用、交流本文件中的内容。 侵权必究并承担赔偿责任。 未经授权擅自复制或传播本文件内容，将承担相关法律责任。



02P: Clasp on the left from this view

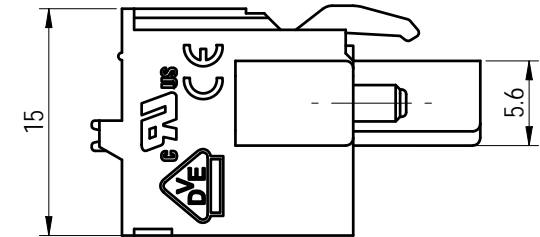


| 未注公差/General tolerances (mm) |       |       |       |       |       |       |       |       |       |       |       |       | 0.1/10 |
|------------------------------|-------|-------|-------|-------|-------|-------|-------|-------|-------|-------|-------|-------|--------|
| 0                            | >3    | >6    | >10   | >18   | >30   | >50   | >80   | >120  | >180  | >250  | >315  | >400  |        |
| ~3                           | ~6    | ~10   | ~18   | ~30   | ~50   | ~80   | ~120  | ~180  | ~250  | ~315  | ~400  | ~500  | >500   |
| ±0.12                        | ±0.18 | ±0.22 | ±0.26 | ±0.31 | ±0.37 | ±0.57 | ±0.80 | ±0.93 | ±1.05 | ±1.15 | ±1.60 | ±2.20 | ±2.50  |

| UL 标准/UL Standard:   | B              | C      | D      |
|--|----------------|--------|--------|
| 额定电压/电流/Rated Voltage(V)/Current(A)                              | 300/10         | /      | 300/10 |
| IEC 标准/IEC Standard:   |                |        |        |
| 过压类别/Overvoltage Category/污染等级/Pollution Degree                  | III/3          | III/2  | II/2   |
| 额定电压/电流/Rated Voltage(V)/Current(A)                              | /              | 320/20 | /      |
| 额定脉冲电压(KV)/Rate Impulse Voltage(KV)                              | /              | 4      | /      |
| 线径范围(硬线和软线)/Wire Range(rigid and flexible)(AWG/mm <sup>2</sup> ) | 26~12/ 0.2~2.5 |        |        |
| 间距/Pitch(mm)/线数范围/Poles  | 5.0/N=02~22P   |        |        |
| 剥线长度/Stripping length(mm)  | 9~10           |        |        |
| 使用温度范围/Operating temperature(°C)                                 | -40~+105       |        |        |
| 符合RoHS环保要求/Conform to RoHS                                       | Yes            |        |        |
| 标准颜色编号/Standard color number: PANTONE / RAL                      | /              |        |        |

| 6    | Spring       | Stainless steel | /              |
|------|--------------|-----------------|----------------|
| 5    | Clamp        | Copper alloy    | Sn Plated      |
| 4    | Screw        | Steel           | M2.5/Zn Plated |
| 3    | Button       | PA66            | UL94V-0        |
| 2    | Housing      | PA66            | UL94V-0        |
| 1    | Cover        | PA66            | UL94V-0        |
| ITEM | NAME OF PART | MATERIAL        | NOTES          |

Note:  
The A&Z(H) in the name means: A(H) and Z(H).



|           |            |                              |                  |                |           |
|-----------|------------|------------------------------|------------------|----------------|-----------|
|           |            | MATERIAL:                    | SURFACE/COLOR:   |                |           |
|           |            | MAT NO./REV:                 | / 00             |                |           |
| APPD: 兰春华 | 2023.03.03 | NAME                         |                  |                |           |
| CHKD: 龚耀志 | 2023.03.01 | 2EDGKDFM-5.0-XXP-1Y-00A&Z(H) |                  |                |           |
| DRFT: 刘强  | 2023.03.01 | DRAWING NO.                  | TYPE             | DRAWING STATUS | SCALE     |
|           |            | 200031009                    | CUSTOMER DRAWING | 已发布            | 2:1       |
|           |            |                              |                  |                | SHEET 1/1 |

| REV | ECN | DESCRIPTION | DRFT | DATE       |
|-----|-----|-------------|------|------------|
| 00  |     |             | 刘强   | 2023.03.01 |