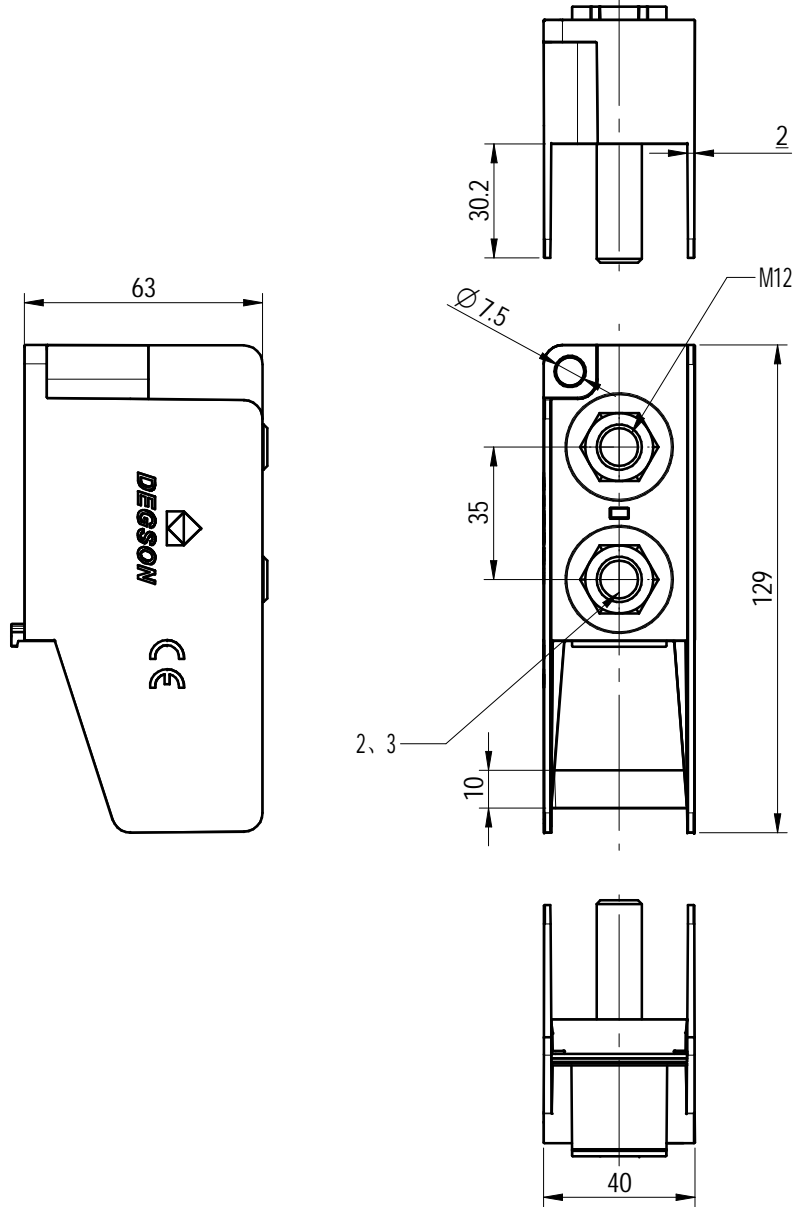


Transfer or duplication of this document as well as the utilization or communication of its contents are prohibited unless explicitly authorized by Degson. All rights reserved for patent, utility model or design registrations. 除专利、实用新型、外观设计、发明专利、软件著作权、集成电路布图设计专有权、域名权等知识产权外，其他权利均归德松公司所有。

未注公差/General tolerances (mm)											0.1/10			
0 ~ 3	>3 ~ 6	>6 ~ 10	>10 ~ 18	>18 ~ 30	>30 ~ 50	>50 ~ 80	>80 ~ 120	>120 ~ 180	>180 ~ 250	>250 ~ 315		>315 ~ 400	>400 ~ 500	>500
±0.12	±0.18	±0.22	±0.26	±0.31	±0.37	±0.57	±0.80	±0.93	±1.05	±1.15	±1.60	±2.20	±2.50	±2'



Note: The A&Z(H) in the name means :A(H) and Z(H)

ITEM	NAME OF PART	MATERIAL	NOTES
3	M12 Nut	Steel	Zn Plated
2	M12*45 Screw	Steel	Zn Plated
1	Housing	PC	UL94V-0

UL 标准/UL Standard:	B	C	D
额定电压/Rated Voltage(V)	600	/	600
螺丝扭矩/Torque Tightening(N·m/Lb.in)	M12: 40/354.2		
间距/Pitch(mm)/线数范围/Poles	40/N=02P		
使用温度范围/Operating temperature(°C)	-40~+105		
符合 RoHS 环保要求/Conform to RoHS	Yes		

DEGSON		MATERIAL: /	SURFACE/COLOR: /		
APPD: 核准人		MAT NO./REV: /	MAT STATUS: /		
CHKD: 审核人		NAME			
DRFT: 设计人		DGB40-02P-1Y-00A&Z(H)			
设计日期		DRAWING NO.	TYPE	DRAWING STATUS	SHEET
A4		200322080	CUSTOMER DRAWING	/	1/1

REV	ECN	DESCRIPTION	DRFT	DATE
00	/	/	/	/