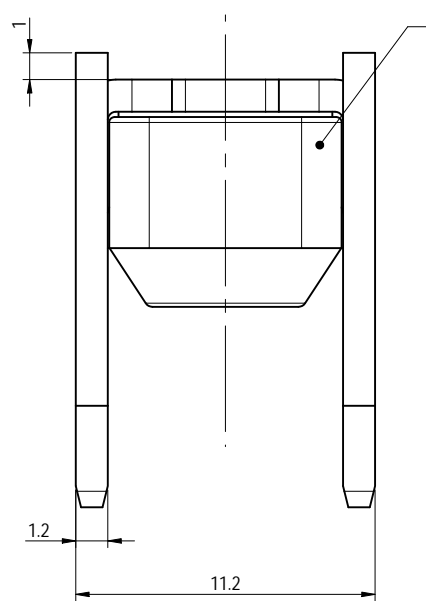
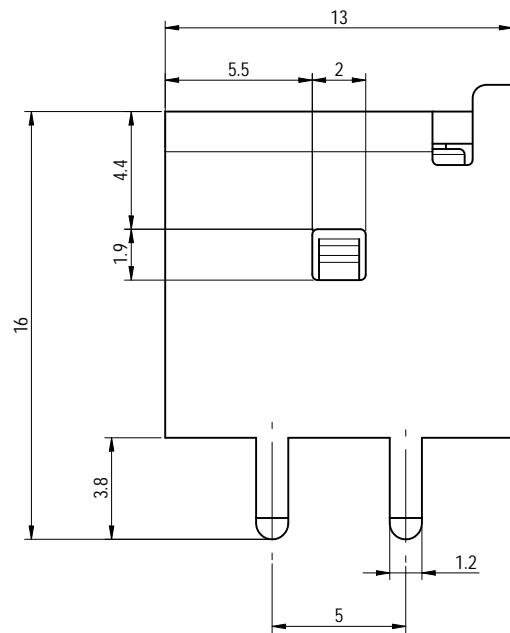
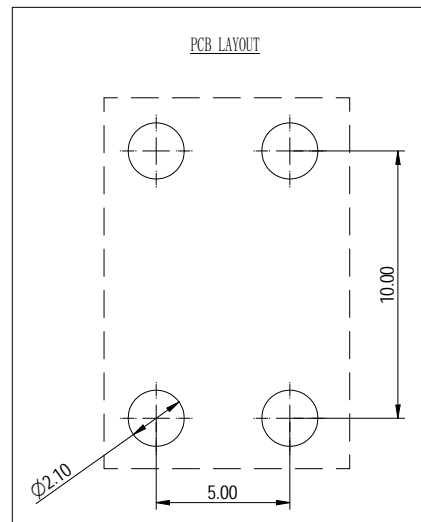
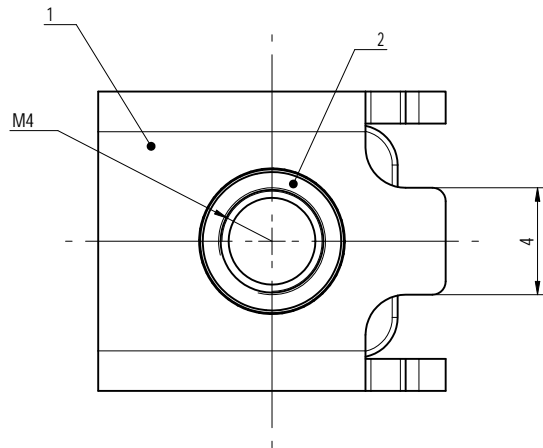


| 公差/General tolerances (mm) |       |       |       |       |       |       |       |       |       |       |       |       | D<br>0.1/10 |      |
|----------------------------|-------|-------|-------|-------|-------|-------|-------|-------|-------|-------|-------|-------|-------------|------|
| 0                          | >3    | >6    | >10   | >18   | >30   | >50   | >80   | >120  | >180  | >250  | >315  | >400  |             | >500 |
| ~                          | ~     | ~     | ~     | ~     | ~     | ~     | ~     | ~     | ~     | ~     | ~     | ~     | ~           | ~    |
| ±0.12                      | ±0.18 | ±0.22 | ±0.26 | ±0.31 | ±0.37 | ±0.57 | ±0.80 | ±0.93 | ±1.05 | ±1.15 | ±1.60 | ±2.20 | ±2.50       | ±2   |



Note: The A&Z(H) in the name means: A(H) and Z(H).

| ITEM | NAME OF PART | MATERIAL | NOTES        |
|------|--------------|----------|--------------|
| 3    | Housing      | PA66+GF  | UL94V-0      |
| 2    | Nut          | Steel    | M4/Zn Plated |
| 1    | Pin header   | Copper   | Sn Plated    |

|                                   |               |
|-----------------------------------|---------------|
| 额定电流/Rated Current(A)             | 0.1           |
| 螺丝扭矩/Torque Tightening(N·m/Lb.in) | M4: 2.4/21.26 |
| 符合RoHS环保要求/Conform to RoHS        | Yes           |

|                      |                                 |                       |      |      |        |       |     |           |
|----------------------|---------------------------------|-----------------------|------|------|--------|-------|-----|-----------|
|                      | MATERIAL:                       | SURFACE/COLOR:        |      |      |        |       |     |           |
|                      | MAT NO./REV: 10902000151-1 / 00 | MAT STATUS: 批量        |      |      |        |       |     |           |
| APPD: 蓝美凡 2022.12.07 | NAME:                           | K50-12A&Z(H)          |      |      |        |       |     |           |
| CHKD: 曹利彬 2022.12.05 |                                 |                       |      |      |        |       |     |           |
| DRFT: 姜民洁 2022.12.05 | DRAWING NO. 200108460           | TYPE CUSTOMER DRAWING |      |      |        |       |     |           |
| REV                  | ECN                             | DESCRIPTION           | DRFT | DATE | 比例 1:1 | SCALE | 1:1 | SHEET 1/1 |

|     |     |             |      |            |
|-----|-----|-------------|------|------------|
| 00  |     |             | 姜民洁  | 2022.12.05 |
| REV | ECN | DESCRIPTION | DRFT | DATE       |

Transfer or duplication of this document as well as the utilization of its contents without the written permission of the copyright holder is prohibited. All rights reserved for patent.