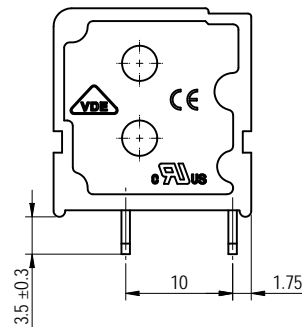
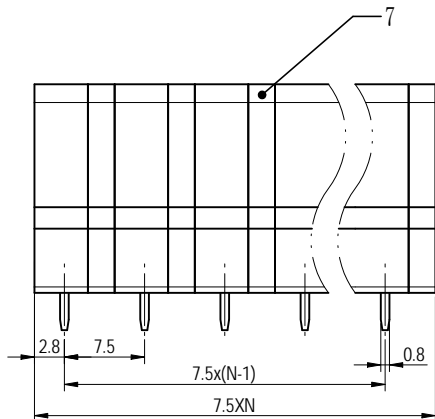
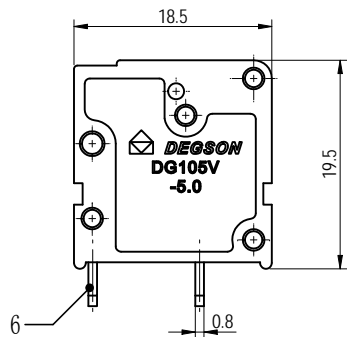
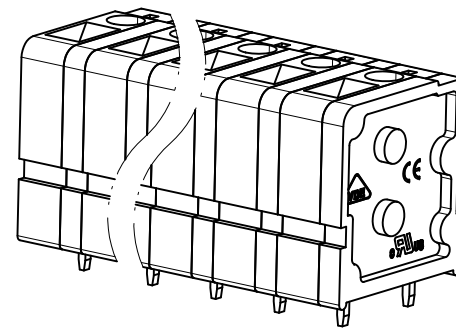
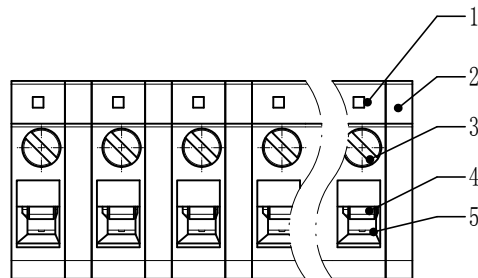
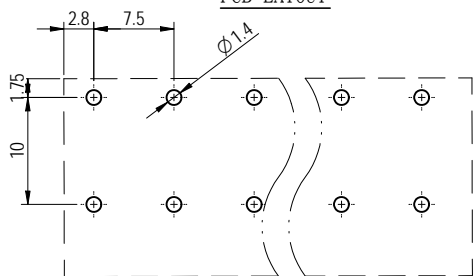


公差/General tolerances (mm)													$\frac{D}{0.1/10}$	
0	>3	>6	>10	>18	>30	>50	>80	>120	>180	>250	>315	>400	>500	± 2
~3	~6	~10	~18	~30	~50	~80	~120	~180	~250	~315	~400	~500		
± 0.12	± 0.18	± 0.22	± 0.26	± 0.31	± 0.37	± 0.57	± 0.80	± 0.93	± 1.05	± 1.15	± 1.60	± 2.20	± 2.50	



ITEM	NAME OF PART	MATERIAL	NOTES
7	Clapboard	PA66	UL94V-0
6	Pin header	Copper	Sn Plated
5	Cage	Steel	M2.5/Zn Plated
4	Block	Steel	Zn Plated
3	Screw	Steel	M2.5/Zn Plated
2	Cover	PA66	UL94V-0
1	Housing	PA66	UL94V-0

PCB LAYOUT



UL 标准/UL Standard:	B	C	D
额定电压/电流/Rated Voltage(V)/Current(A)	300/20	/	300/10
IEC 标准/IEC Standard:			
过压类别/Overvoltage Category/污染等级/Pollution Degree	III/3 III/2 II/2		
额定电压/电流/Rated Voltage(V)/Current(A)	/ / 450/24 /		
工频耐压/Withstanding voltage(V/1Min)	AC2500		
螺丝扭矩/Torque Tightening(N·m/Lb.in)	M2.5: 0.4/3.54		
线径范围(硬线和软线)/Wire Range(rigid and flexible)(AWG/mm²)	30~12 / 0.5~2.5		
间距/Pitch(mm)/线数范围/Poles	7.5/N=02~12P		
剥线长度/Stripping length(mm)	12~13		
使用温度范围/Operating temperature(°C)	-40~+105		

DEGSON MATERIAL: SURFACE/COLOR: / 00 MAT STATUS: 批量

APPD: 兰春华 2024.10.21 NAME: DG105V-7.5-XXP-1Y-10A&Z(H)

CHKD: 曹利影 2024.10.19

DRFT: 申玉堂 2024.10.18

DRAWING NO. 200314839 TYPE CUSTOMER DRAWING DRAWING STATUS 已发布 SCALE 2:1 SHEET 1/1

REV	ECN	DESCRIPTION	DRFT	DATE
00			申玉堂	2024.10.18

Transfer or duplication of this document as well as the utilization of its contents in any form without the written consent of DEGSON is prohibited. All rights reserved for patent. 复制或再版此文件以及其内容之利用，未经 DEGSON 书面同意，均属侵权行为。DEGSON 保留所有权利。DEGSON 保留所有权利。