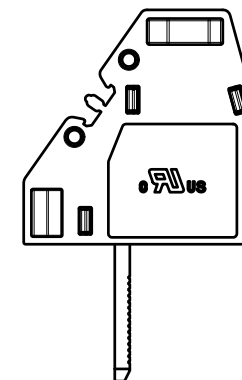
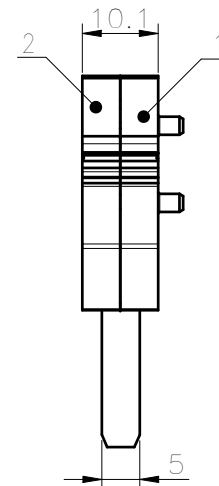
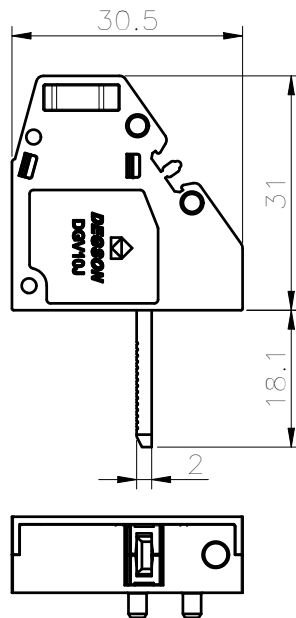
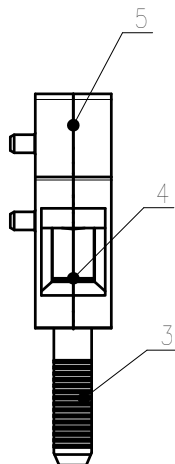


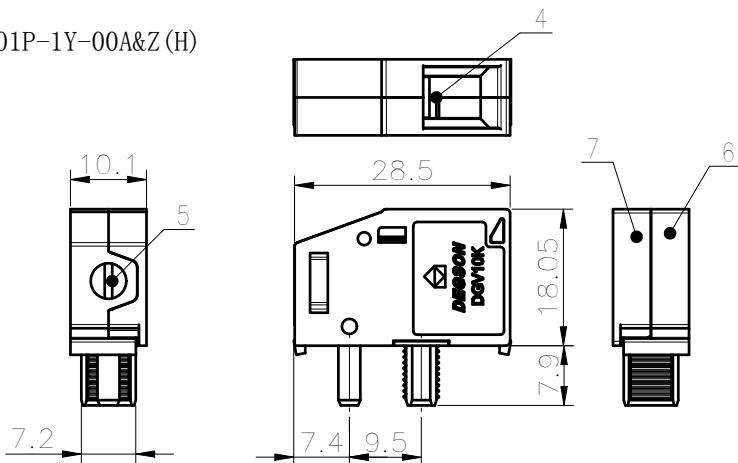
DGV10J-01P-1Y-00A&Z (H)



未注公差/General tolerances(mm)													0.1/10	
0 ~ 3	>3 ~ 6	>6 ~ 10	>10 ~ 18	>18 ~ 30	>30 ~ 50	>50 ~ 80	>80 ~ 120	>120 ~ 180	>180 ~ 250	>250 ~ 315	>315 ~ 400	>400 ~ 500		>500
±0.12	±0.18	±0.22	±0.26	±0.31	±0.37	±0.57	±0.80	±0.93	±1.05	±1.15	±1.60	±2.20	±2.50	±2'

Note: The A&Z (H) in the name means: A(H) and Z(H).

DGV10K-01P-1Y-00A&Z (H)



ITEM	NAME OF PART	MATERIAL	NOTES
7	DGV10K HOUSING2	PA66	UL94V-0
6	DGV10K HOUSING1	PA66	UL94V-0
5	Screw	Steel	Zn Plated
4	Cage	Copper Alloy	Ni Plated
3	Current Carrier	Copper	Sn Plated
2	DGV10J HOUSING2	PA66	UL94V-0
1	DGV10J HOUSING1	PA66	UL94V-0

UL 标准/UL Standard:	B	C	D
额定电压/电流/Rated Voltage(V)/Current(A)	300/65	150/65	300/10
IEC 标准/IEC Standard:			
过压类别/Overvoltage Category/污染等级/Pollution Degree	III/3	III/2	II/2
额定电压/电流/Rated Voltage(V)/Current(A)	400/57	/	/
额定脉冲电压(KV)/Rate Impulse Voltage(KV)	6	/	/
螺丝扭矩/Torque Tightening(N·m/Lb.in)	M4, 1.2/10.53		
线径范围(硬线和软线)/Wire Range(rigid and flexible)(AWG/mm <sup>2</sup> )	0.5~10(16sol)/24~6		
间距/Pitch(mm)/线数范围/Poles	10.1/N=01P		
剥线长度/Stripping length(mm)	10~11		
使用温度范围/Operating temperature(°C)	-40~+105		
符合 RoHS 环保要求/Conform to RoHS	Yes		

		MATERIAL:	SURFACE/COLOR:		
APPD: 蓝贵凡 2022.11.30		MAT NO./REV: - / 00	MAT STATUS: 批量		
CHKD: 曹利彬 2022.11.30		NAME			
DRFT: 姜民浩 2022.11.30		DGV10-01P-1Y-00A&Z (H)			
00	REV	ECN	DESCRIPTION	DRFT	DATE
200045585	A4	mm (inch)	200045585	CUSTOMER DRAWING	已发布
DRAWING NO.		TYPE		DRAWING STATUS	SCALE
200045585		CUSTOMER DRAWING		已发布	1:1
SHEET		1/1			

Transfer or duplication of this document as well as the utilization or communication of its contents are prohibited unless explicit authorization is granted. All rights reserved for patent, utility model or design registrations. 非经明确授权, 否则禁止转让、复制、利用、交本文件内容, 侵犯者将负法律责任。 侵犯者将负法律责任。 非经明确授权, 否则禁止转让、复制、利用、交本文件内容, 侵犯者将负法律责任。 非经明确授权, 否则禁止转让、复制、利用、交本文件内容, 侵犯者将负法律责任。