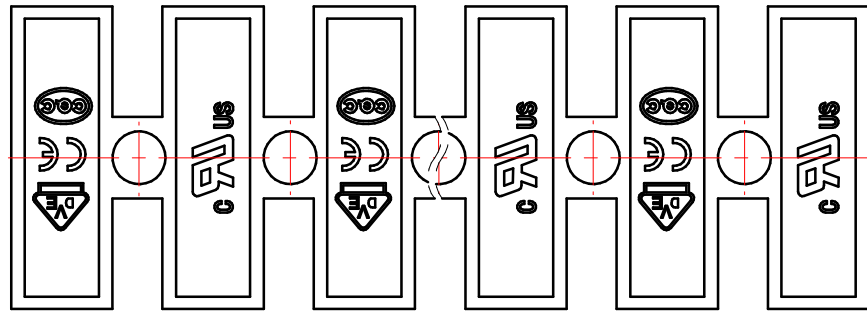
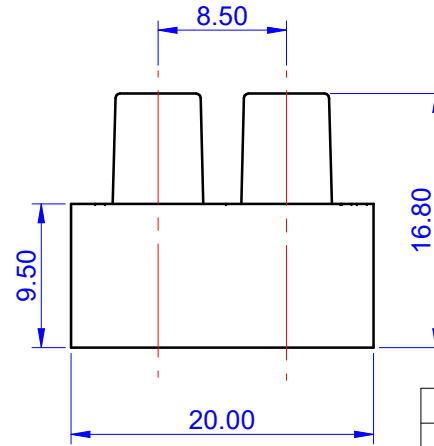
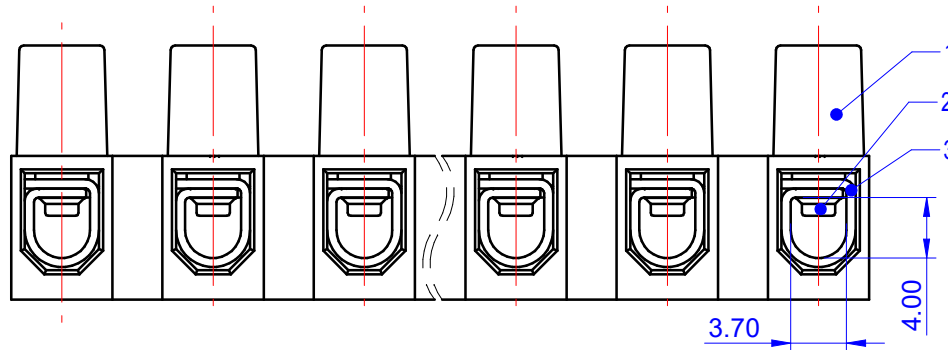
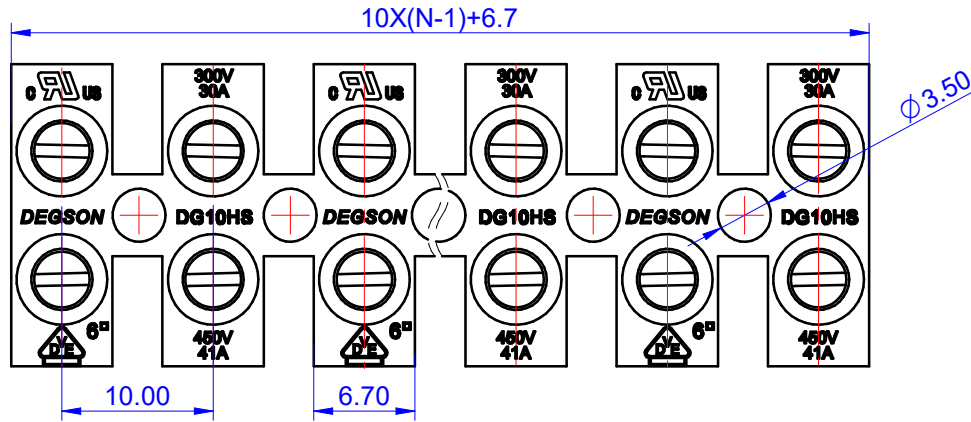


未注公差/General tolerances(mm)														
0	>3	>6	>10	>18	>30	>50	>80	>120	>180	>250	>315	>400	>500	0.1/10
~	~	~	~	~	~	~	~	~	~	~	~	~	~	0.1/10
±0.12	±0.18	±0.22	±0.26	±0.31	±0.37	±0.57	±0.80	±0.93	±1.05	±1.15	±1.60	±2.20	±2.50	±2°



Note: The A&Z (H) in the name means: A(H) and Z(H).

ITEM	NAME OF PART	MATERIAL	NOTES
3	Current carrier	Steel	Zn Plated
2	Screws	Steel	Zn Plated/M3
1	Housing	PA66	UL94V-2

UL 标准/UL Standard:	B	C	D
额定电压/电流/Rated Voltage(V)/Current(A)	300/30	/	300/10
IEC 标准/IEC Standard:			
过压类别/Overvoltage Category/污染等级/Pollution Degree	III/3	III/2	II/2
额定电压/电流/Rated Voltage(V)/Current(A)	/	450/41	/
额定脉冲电压(KV)/Rate Impulse Voltage(KV)	/	2.5	/
螺丝扭矩/Torque Tightening(N·m/Lb.in)	M3, 0.5/4.5		
线径范围(硬线和软线)/Wire Range(rigid and flexible)(AWG/mm ²)	18- 12 / 1.0- 6.0		
间距/Pitch(mm)线数范围/Poles	10/N= 02~ 12P		
使用温度范围/Operating temperature(°C)	-40~ + 105		
符合 RoHS 环保要求/Conform to RoHS	Yes		

DEGSON		MATERIAL:	SURFACE:	
APPD: 蓝贵凡 2023.02.01		MAT NO./REV:	/ 00 MAT STATUS: 批量	
CHKD: 曹利彬 2023.01.10		NAME		
DRFT: 孙科豪 2023.01.10		DG10HS-1.2-XXP-1Y-100A&Z(H)		
DRAWING NO.	TYPE	DRAWING STATUS	SCALE	SHEET
200009245	CUSTOMER DRAWING	已发布	2:1	1/1

REV	ECN	DESCRIPTION	DRFT	DATE
00			孙科豪	2023.01.10

Transfer or duplication of this document as well as the utilization of its contents for any purpose without the written consent of DEGSON is prohibited. All rights reserved for patent, utility model or design registrations. 非经书面授权, 严禁禁止转让、复制、翻用、交流本文件的内容。 侵犯者将承担法律责任。 本公司保留对涉及发明、实用新型和外观专利的所有权利。