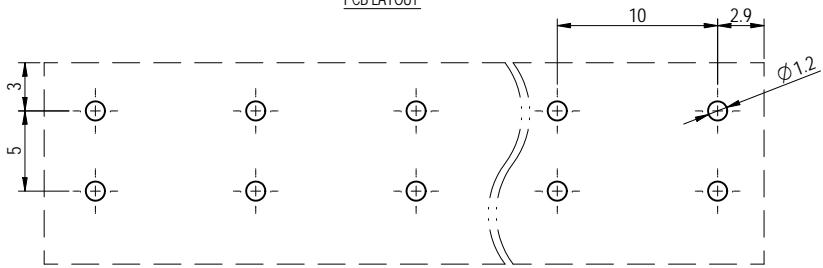
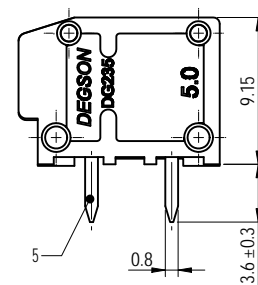
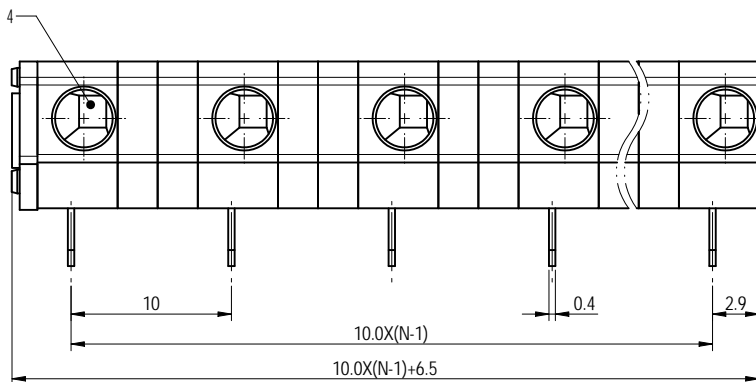
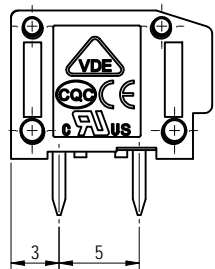
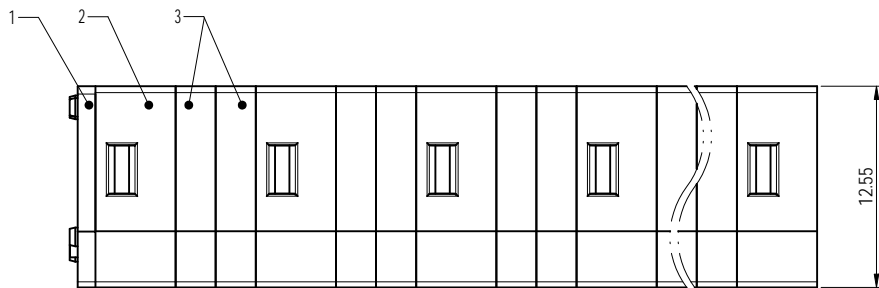
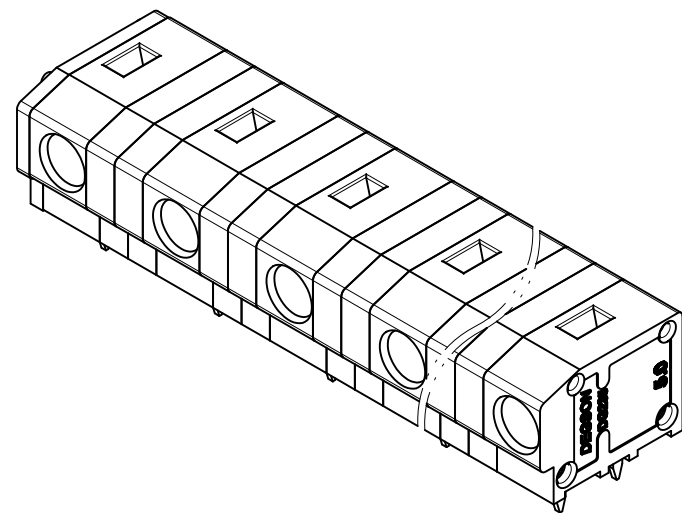


PCB LAYOUT



公差/General tolerances (mm)													D	
0	>3	>6	>10	>18	>30	>50	>80	>120	>180	>250	>315	>400	>500	0.1/10
~	~	~	~	~	~	~	~	~	~	~	~	~	~	N
±0.12	±0.18	±0.22	±0.26	±0.31	±0.37	±0.57	±0.80	±0.93	±1.05	±1.15	±1.60	±2.20	±2.50	±2



Note:
The A&Z(H) in the name means: A(H) and Z(H).

5	Pin header	Copper alloy	Sn plated
4	Spring	Stainless steel	/
3	Clapboard	PA66	UL94V-0
2	Housing	PA66	UL94V-0
1	Cover	PA66	UL94V-0
ITEM	NAME OF PART	MATERIAL	NOTES

UL 标准/UL Standard:	B	C	D
额定电压/电流/Rated Voltage(V)/Current(A)	300/5	150/5	300/5
IEC 标准/IEC Standard:			
过压类别/Overvoltage Category/污染等级/Pollution Degree	III/3	III/2	II/2
额定电压/电流/Rated Voltage(V)/Current(A)	/	750/15	/
工频耐压/Withstanding Voltage/(V/1Min)	/	AC3000	/
线径范围(硬线和软线)/Wire Range(rigid and flexible)(AWG/mm²)	0.2~1.5/2.5(Sol)/20~18		
间距/Pitch(mm)/线数范围/Poles	10.0/N=02~10P		
剥线长度/Stripping length(mm)	10		
使用温度范围/Operating temperature(°C)	-40~+105		
符合RoHS环保要求/Conform to RoHS	Yes		

APPROVED		DATE		NAME		DRAWING NO.		TYPE		DRAWING STATUS		SCALE		SHEET	
APPD:	兰春华	2023.03.10		NAME:											
CHKD:	陈超	2023.03.09													
DRFT:	黄徐涛	2023.03.09													
REV	ECN	DESCRIPTION	DRFT	DATE	SCALE	1:1	200029549	CUSTOMER DRAWING	已发布	1:1	1/1				

REV	ECN	DESCRIPTION	DRFT	DATE
00				2023.03.09

Transfer or duplication of this document as well as the utilization of its contents without the written permission of DEGSON is prohibited. All rights reserved for patent.