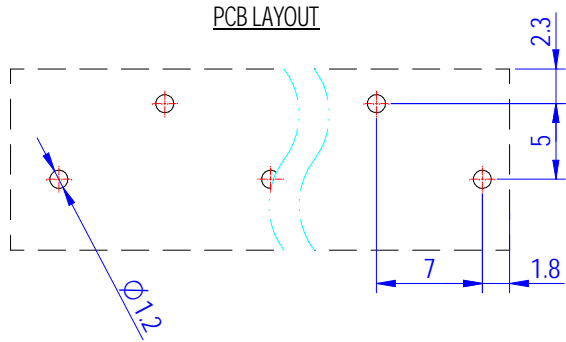


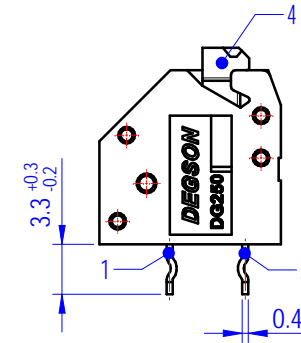
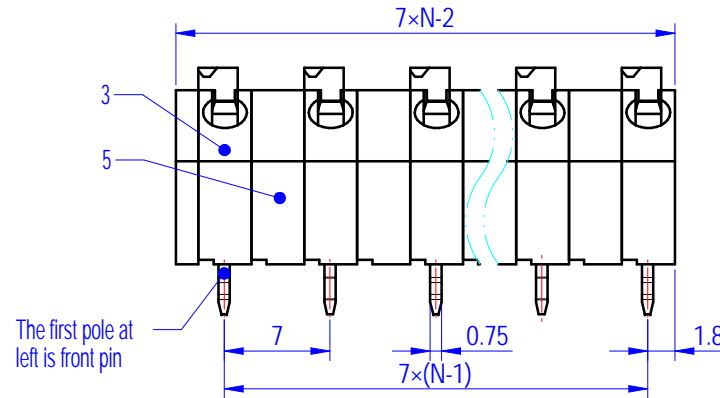
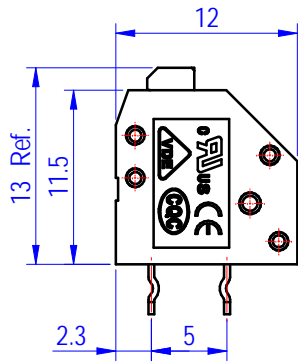
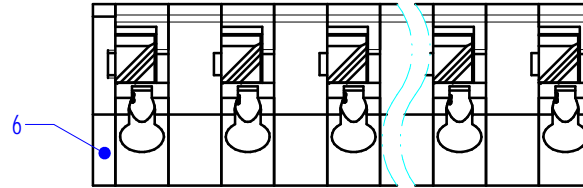
PCB LAYOUT



未注公差/General tolerances (mm)											0.1/10		
0	>3	>6	>10	>18	>30	>50	>80	>120	>180	>250			
~3	~6	~10	~18	~30	~50	~80	~120	~180	~250	~315	~400	~500	±2'
±0.12	±0.18	±0.22	±0.26	±0.31	±0.37	±0.57	±0.80	±0.93	±1.05	±1.15	±1.60	±2.20	

UL 标准/UL Standard:	B	C	D
额定电压/电流/Rated Voltage(V)/Current(A)	300/8	300/8	/
IEC 标准/IEC Standard:			
过压类别/Overtoltage Category/污染等级/Pollution Degree	III/3	III/2	II/2
额定电压/电流/Rated Voltage(V)/Current(A)	500/10	630/10	1000/10
额定脉冲电压(KV)/Rate Impulse Voltage(KV)	6	6	6
线径范围(硬线和软线)/Wire Range(rigid and flexible)(AWG mm ²)	22~ 16/ 0.2~ 1.5		
间距/Pitch(mm)/线数范围/Poles	7.0/N= 02~ 12P		
剥线长度/Stripping length(mm)	8.5~ 9.5		
使用温度范围/Operating temperature(°C)	-40~ +105		
符合RoHS环保要求/Conform to RoHS	Yes		

6	Cover	PA66	UL94V-0
5	Clapboard	PA66	UL94V-0
4	Button	PA66	UL94V-0
3	Housing	PA66	UL94V-0
2	Big Pin header	Copper alloy	Sn plated
1	Small Pin header	Copper alloy	Sn plated
ITEM	NAME OF PART	MATERIAL	NOTES



		MATERIAL:	SURFACE/COLOR:		
		MAT NO./REV:	MAT STATUS: 批量		
APPD: 兰春华	2023.08.01	NAME			
CHKD: 陈招	2023.08.01	DG250-7.0-XXP-1Y-01A&Z(H)			
DRFT: 唐本恒	2023.08.01	DRAWING NO.	TYPE	DRAWING STATUS	SCALE
		200035024	CUSTOMER DRAWING	已发布	2:1
REV	ECN	DESCRIPTION	DRFT	DATE	SHEET
00			唐本恒	2023.08.01	1/1

Transfer or duplication of this document as well as the utilization or communication of its contents are prohibited unless authorized in writing by Degson. Violations will be treated as illegal activities and subject to legal action. 除经本公司书面许可外，任何复制或传播本文件的行为均被视为侵权，公司将依法追究。