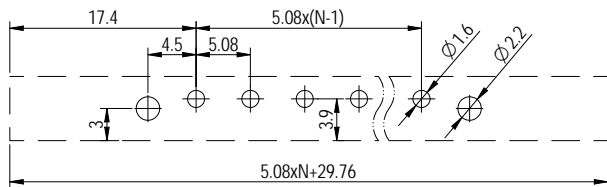
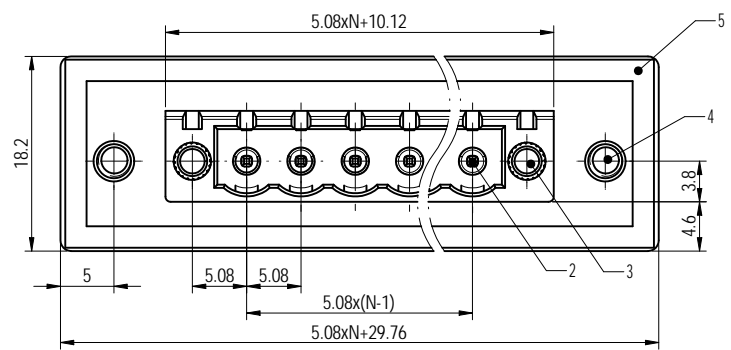
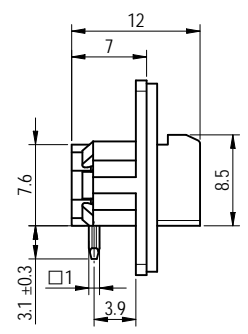
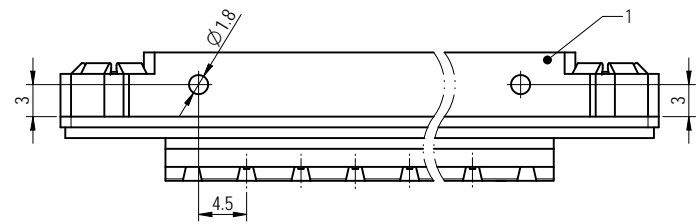
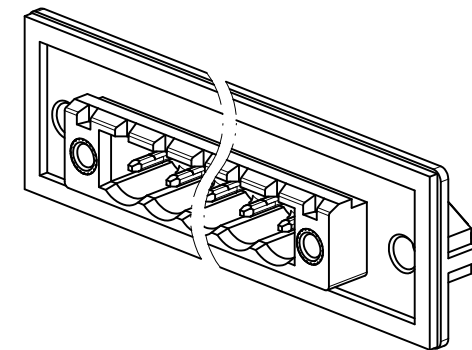


PCB LAYOUT



公差/General tolerances (mm)											0.1/10			
0	>3	>6	>10	>18	>30	>50	>80	>120	>180	>250	>315	>400	>500	±2
~	~	~	~	~	~	~	~	~	~	~	~	~	~	
±0.12	±0.18	±0.22	±0.26	±0.31	±0.37	±0.57	±0.80	±0.93	±1.05	±1.15	±1.60	±2.20	±2.50	



Note:
The A&Z(H) in the name means: A(H) and Z(H).

ITEM	NAME OF PART	MATERIAL	NOTES
5	Dust mat	EVA	/
4	Nut 2	Steel	M3/Zn Plated
3	Nut 1	Copper alloy	M2.5
2	Pin	Copper	Sn Plated
1	Housing	PA66	UL94V-0

UL 标准/UL Standard:	B	C	D
额定电压/电流/Rated Voltage(V)/Current(A)	300/15	/	300/10
IEC 标准/IEC Standard:			
过压类别/Overvoltage Category/污染等级/Pollution Degree	III/3	III/2	II/2
额定电压/电流/Rated Voltage(V)/Current(A)	250/12	320/12	400/12
额定脉冲电压(KV)/Rate Impulse Voltage(KV)	4	4	4
间距/Pitch(mm)/线数范围/Poles	5.08/N=02~22P		
使用温度范围/Operating temperature(°C)	-40~+105		
符合RoHS环保要求/Conform to RoHS	Yes		
标准颜色编号/Standard color number: PANTONE / RAL	/		

DIIGSON	MATERIAL:	SURFACE/COLOR:
	MAT NO./REV: - / 00	MAT STATUS: 批量

APPD: 兰春华	2022.11.24	NAME	2CDGRM-5.08-XXP-1Y-100A&Z(H)		
CHKD: 黄耀志	2022.11.23	DRAWING NO.	200019513	TYPE	CUSTOMER DRAWING
DRFT: 方哲盛	2022.11.23	DRAWING STATUS	已发布	SCALE	2:1
REV	ECN	DESCRIPTION	DRFT	DATE	SHEET
00				2022.11.23	1/1

00			方哲盛	2022.11.23	
REV	ECN	DESCRIPTION	DRFT	DATE	SHEET
					1/1

Transfer or duplication of this document as well as the utilization of its contents without the written permission of the copyright holder is prohibited. All rights reserved for patent.