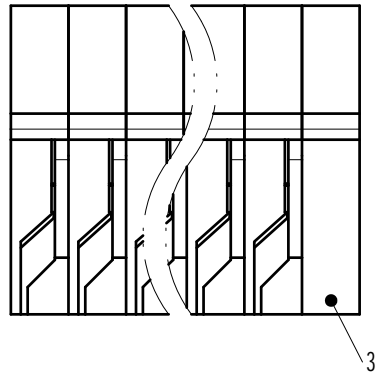
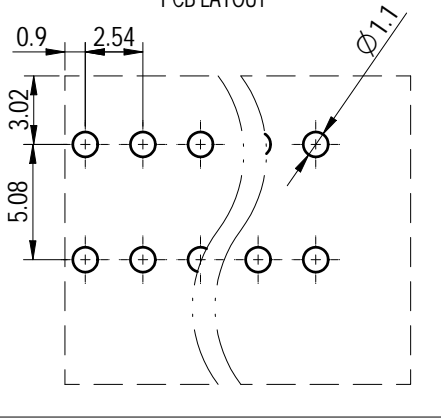
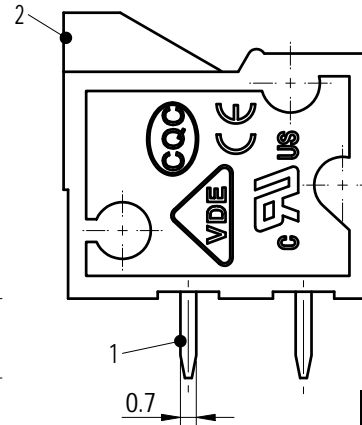
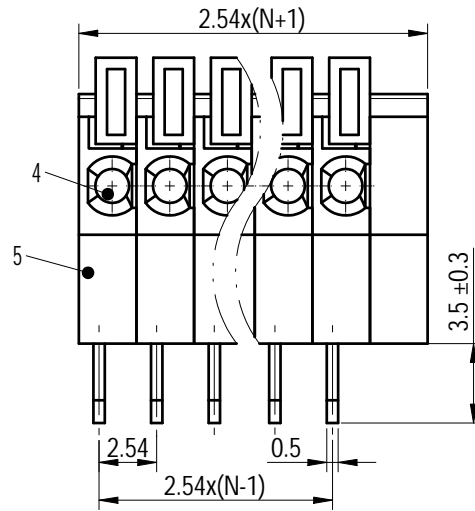
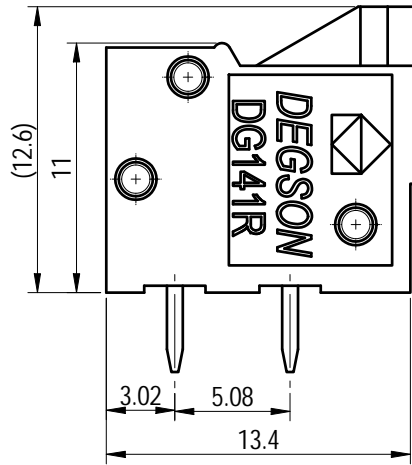
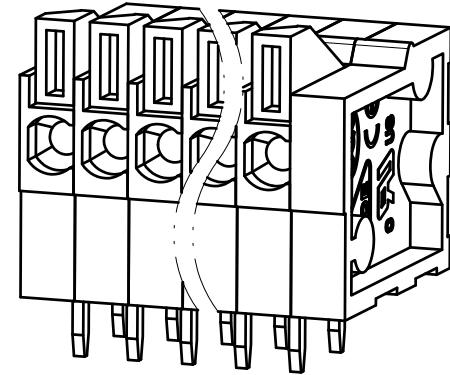


PCB LAYOUT



未注公差/General tolerances (mm)													0.1/10
0	>3	>6	>10	>18	>30	>50	>80	>120	>180	>250	>315	>400	
~3	~6	~10	~18	~30	~50	~80	~120	~180	~250	~315	~400	~500	±2'
±0.12	±0.18	±0.22	±0.26	±0.31	±0.37	±0.57	±0.80	±0.93	±1.05	±1.15	±1.60	±2.20	



Note: The A&Z(H) in the name means: A(H) and Z(H).

ITEM	NAME OF PART	MATERIAL	NOTES
5	Housing	PA66	UL94V-0
4	Spring	Stainless steel	/
3	Cover	PA66	UL94V-0
2	Button	PA66	UL94V-0
1	Pin header	Copper alloy	Sn Plated

UL 标准/UL Standard:	B	C	D
额定电压/电流/Rated Voltage(V)/Current(A)	150/2	150/2	150/2
IEC 标准/IEC Standard:			
过压类别/Overvoltage Category/污染等级/Pollution Degree	III/3	III/2	II/2
额定电压/电流/Rated Voltage(V)/Current(A)	/	130/6	/
额定脉冲电压(KV)/Rate Impulse Voltage(KV)	AC1250		
线径范围(硬线和软线)/Wire Range(rigid and flexible)(AWG/mm²)	24~20/0.2~1.0		
间距/Pitch(mm)/线数范围/Poles	2.54/N=01~32P		
剥线长度/Stripping length(mm)	11		
使用温度范围/Operating temperature(°C)	-40~+105		
符合RoHS环保要求/Conform to RoHS	Yes		

APPD:	兰春华	2022.08.31
CHKD:	陈招	2022.08.30
DRFT:	袁路易	2022.08.30

MATERIAL: -	SURFACE/COLOR:
MAT NO./REV: - / 00	MAT STATUS: 批量
NAME	
DG141R-2.54-XXP-1Y-00A&Z(H)	

REV	ECN	DESCRIPTION	DRFT	DATE
00			袁路易	2022.08.30

DRAWING NO.	TYPE	DRAWING STATUS	SCALE	SHEET
200022100	CUSTOMER DRAWING	已发布	2:1	1/1

Transfer or duplication of this document as well as the utilization or communication of its content are prohibited unless authorized in writing by the copyright owner. All rights reserved for patent, utility model or design registrations. 除专利、实用新型、外观设计注册外，未经许可，不得复制或传播本文件内容。本公司保留对本文件的所有权利。