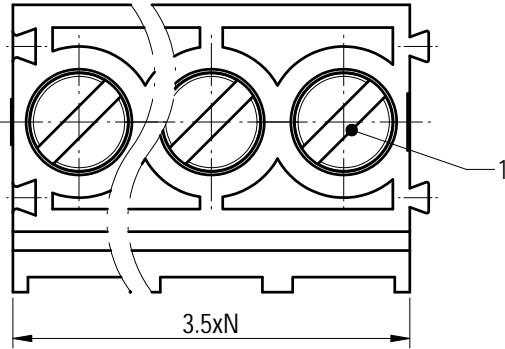
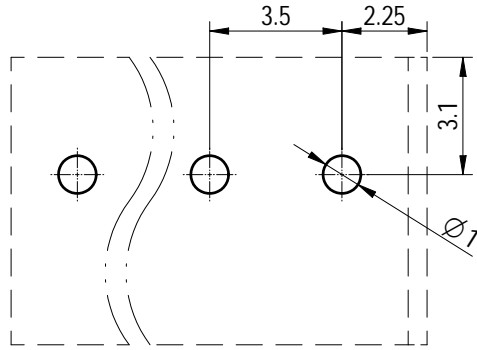
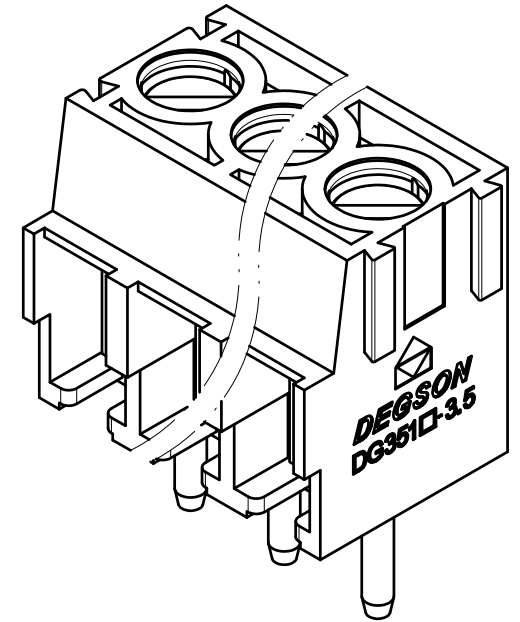
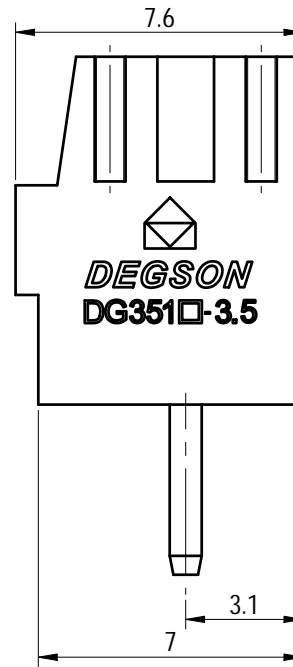
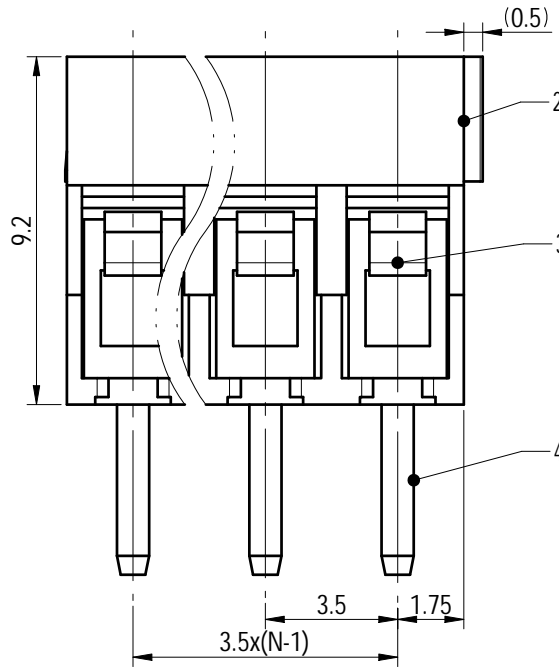
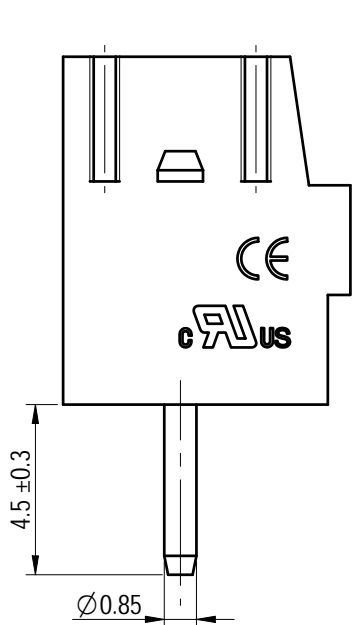


PCB LAYOUT



未注公差/General tolerances (mm)											0.1/10 ±2'		
0 ~ 3	>3 ~ 6	>6 ~ 10	>10 ~ 18	>18 ~ 30	>30 ~ 50	>50 ~ 80	>80 ~ 120	>120 ~ 180	>180 ~ 250	>250 ~ 315		>315 ~ 400	>400 ~ 500
±0.12	±0.18	±0.22	±0.26	±0.31	±0.37	±0.57	±0.80	±0.93	±1.05	±1.15	±1.60	±2.20	±2.50

UL 标准/UL Standard:	B	C	D
额定电压/电流/Rated Voltage(V)/Current(A)	300/10	/	300/10
IEC 标准/IEC Standard:			
过压类别/Overvoltage Category/污染等级/Pollution Degree	III/3	III/2	II/2
额定电压/电流/Rated Voltage(V)/Current(A)	160/17.5	200/17.5	400/17.5
额定脉冲电压/Rate Impulse Voltage (KV)	2.5	2.5	2.5
螺丝扭矩/Torque Tightening(N·m/Lb.in)	M2, 0.2/1.77		
线径范围(硬线和软线)/Wire Range(rigid and flexible)(AWG/mm²)	26~16 / 0.2~1.5		
间距/Pitch(mm)/线数范围/Poles	3.5/N=02~24P		
剥线长度/Stripping length(mm)	5		
使用温度范围/Operating temperature(°C)	-40~+105		
符合RoHS环保要求/Conform to RoHS	Yes		



Note:  
The A&Z(H) in the name means: A(H) and Z(H).

ITEM	NAME OF PART	MATERIAL	NOTES
4	Pin header	Copper alloy	Sn Plated
3	Spring	Stainless steel	/
2	Housing	PA66	UL94V-0
1	Screw	Steel	M3/Zn plated

		MATERIAL: /	SURFACE/COLOR: /	
APPD: 兰春华 2023.03.02		MAT NO./REV: - / 00	MAT STATUS: 批量	
CHKD: 陈招 2023.03.02		NAME		
DRFT: 柳学龙 2023.03.02		DG351V-3.5-XXP-1Y-00A&Z(H)		
DRAWING NO.	TYPE	DRAWING STATUS	SCALE	SHEET
200025542	CUSTOMER DRAWING	已发布	5:1	1/1

REV	ECN	DESCRIPTION	DRFT	DATE
00			柳学龙	2023.03.02

Transfer or duplication of this document as well as the utilization or communication of its contents are prohibited unless authorized in writing. All rights reserved for patent, utility model or design registrations. 除专利、实用新型、外观设计、发明专利等文件外，其他文件均受版权保护。未经许可，不得复制或传播。 柳学龙 2023.03.02