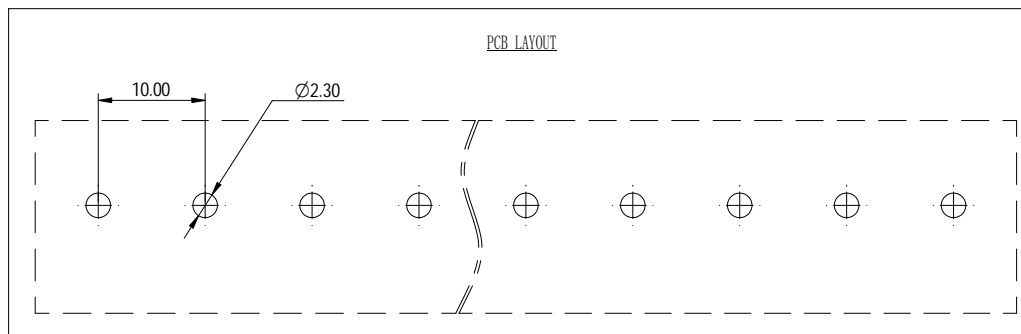
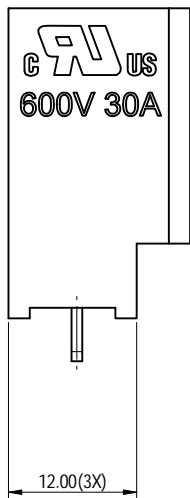
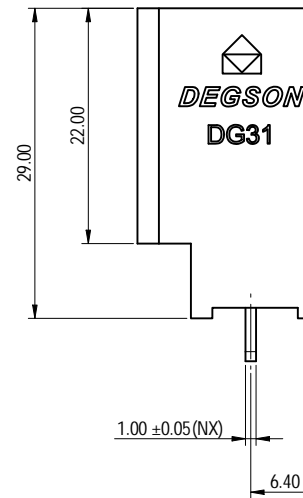
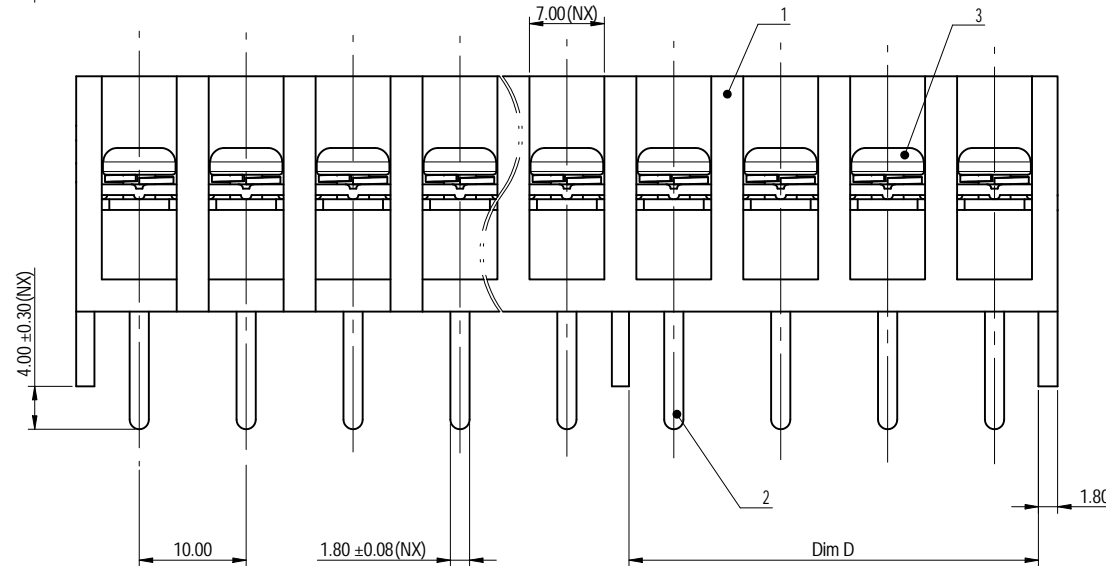
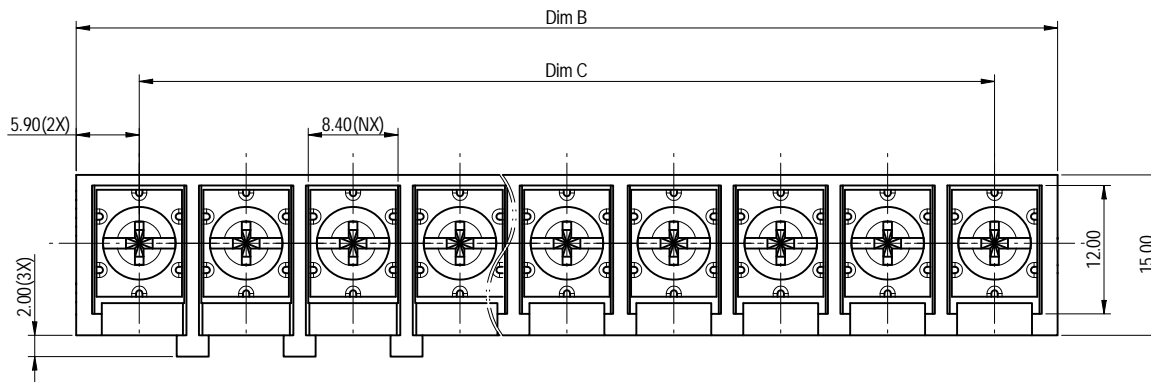


公差/General tolerances (mm)											D			
0	>3	>6	>10	>18	>30	>50	>80	>120	>180	>250		>315	>400	>500
±0.12	±0.18	±0.22	±0.26	±0.31	±0.37	±0.45	±0.57	±0.70	±0.85	±1.05	±1.25	±1.50	±2.00	±2.50
													0.1/10	
													±2	



N=Number of concat

	Dim B	Dim C	Dim D	⌒
06P	61.80±0.30	50.00±0.25	18.30±0.30	0.30
07P	71.80±0.30	60.00±0.25	28.30±0.30	0.35
08P	81.80±0.35	70.00±0.25	38.30±0.30	0.35
09P	91.80±0.40	80.00±0.30	38.30±0.30	0.40
10P	101.80±0.45	90.00±0.35	38.30±0.30	0.45

Note: The A&Z (H) in the name means: A(H) and Z(H).

ITEM	NAME OF PART	MATERIAL	NOTES
3	Screw	Steel	Sn Plated
2	Pin header	Copper alloy	Ni Plated
1	Housing	PA66+25%GF	UL94V-0
UL 标准/UL Standard:		600/30	
额定电压/电压/Rated Voltage(V)/Current(A)		600/25	
IEC 标准/IEC Standard:		600/25	
额定电压/电压/Rated Voltage(V)/Current(A)		600/25	
螺丝扭矩/Torque Tightening(N·m/Lb.in)		M4: 1.2/10.63	
线径范围(硬线和软线)/Wire Range(rigid and flexible)(AWG/mm²)		18-10/6	
间距/Pitch(mm)/线数范围/Poles		10.00/N=06-10P	
使用温度范围/Operating temperature(°C)		-40--+120	
符合RoHS环保要求/Conform to RoHS		Yes	

DEGSON		MATERIAL:	SURFACE/COLOR:		
APPD: 蓝美凡	2023.10.17	NAME:	DG31-B-XXP-1Y-00A&Z(H)		
CHKD: 曹利影	2023.10.17	MAT NO./REV:	- / 00		
DRAFT: 姜民浩	2023.10.17	DRAWING NO.	TYPE	DRAWING STATUS	SCALE
		200240598	CUSTOMER DRAWING	已发布	1:1
				SHEET	1/1

REV	ECN	DESCRIPTION	DRFT	DATE
00				

Transfer or duplication of this document as well as the utilization of its contents without the written consent of DEGSON is prohibited. All rights reserved for patent. 未经授权复制或传播本文件及其内容，或未经许可使用其内容，均属于侵权行为。DEGSON 保留所有权利。未经许可，不得复制或传播本文件及其内容。