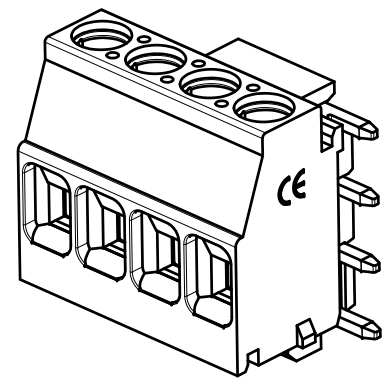
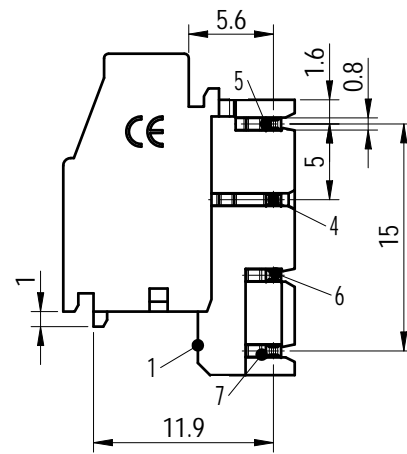
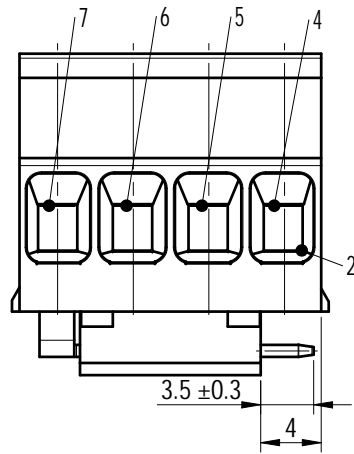
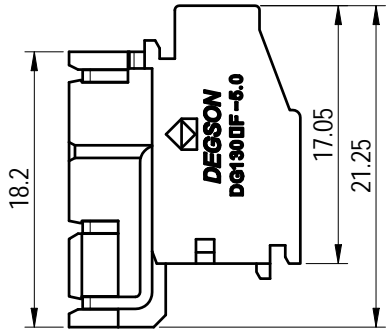
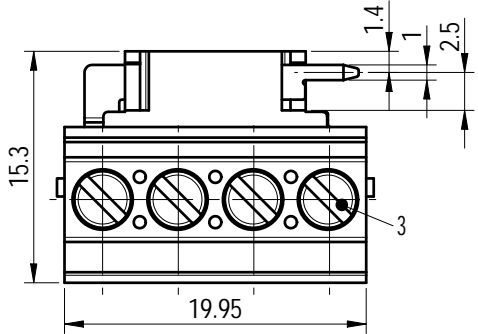
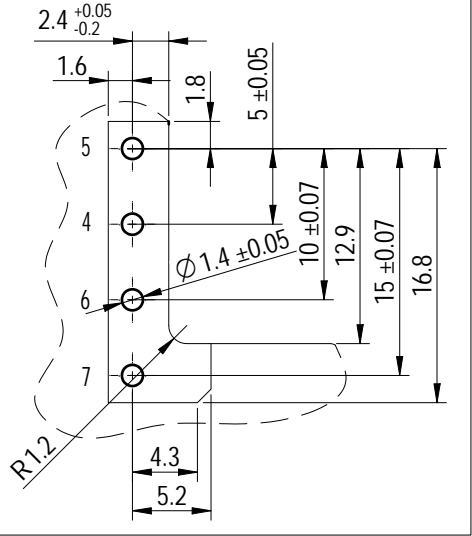


PAB LAYOUT



未注公差/General tolerances (mm)														
0	>3	>6	>10	>18	>30	>50	>80	>120	>180	>250	>315	>400	>500	0.1/10 ±2'
~	~	~	~	~	~	~	~	~	~	~	~	~	~	
±0.12	±0.18	±0.22	±0.26	±0.31	±0.37	±0.57	±0.80	±0.93	±1.05	±1.15	±1.60	±2.20	±2.50	

UL 标准/UL Standard:	B	C	D
额定电压/电流/Rated Voltage(V)/Current(A)	300/20	/	300/10
IEC 标准/IEC Standard:			
过压类别/Overvoltage Category/污染等级/Pollution Degree	III/3	III/2	II/2
额定电压/电流/Rated Voltage(V)/Current(A)	250/24	400/24	630/24
额定脉冲电压(KV)/Rate Impulse Voltage(KV)	4	4	4
螺丝扭矩/Torque Tightening(N·m/Lb.in)	M3, 0.6/5.4		
线径范围(硬线和软线)/Wire Range(rigid and flexible)(AWG/mm²)	30~12 / 0.2~2.5		
剥线长度/Stripping length(mm)	8		
使用温度范围/Operating temperature(°C)	-40~+105		
符合RoHS环保要求/Conform to RoHS	Yes		

Note: The A&Z(H) in the name means: A(H) and Z(H).

ITEM	NAME OF PART	MATERIAL	NOTES
7	Pin header-4	Copper	Sn Plated
6	Pin header-3	Copper alloy	Sn Plated
5	Pin header-2	Copper alloy	Sn Plated
4	Pin header-1	Copper	Sn Plated
3	Screw	Steel	M3/Zn Plated
2	Cage	Copper alloy	M3/Ni Plated
1	Housing	PA66	UL94V-0

		MATERIAL: -	SURFACE/COLOR:			
		MAT NO./REV: - / 00	MAT STATUS: 批量			
APPD: 兰春华	2023.02.03	NAME				
CHKD: 陈招	2023.02.03	DG130RF-5.0-04P-1Y-00A&Z(H)				
DRFT: 袁路易	2023.02.02	DRAWING NO.	TYPE	DRAWING STATUS	SCALE	SHEET
		200022396	CUSTOMER DRAWING	已发布	2:1	1/1

REV	ECN	DESCRIPTION	DRFT	DATE
00			袁路易	2023.02.02

Transfer or duplication of this document as well as the utilization or communication of its contents are prohibited unless authorized in writing by DEGSON. All rights reserved for patent. 除专利外，所有权利均保留。 未经授权，禁止复制或传播。 未经书面许可，不得复制或传播。 未经授权，不得复制或传播。 未经授权，不得复制或传播。 未经授权，不得复制或传播。