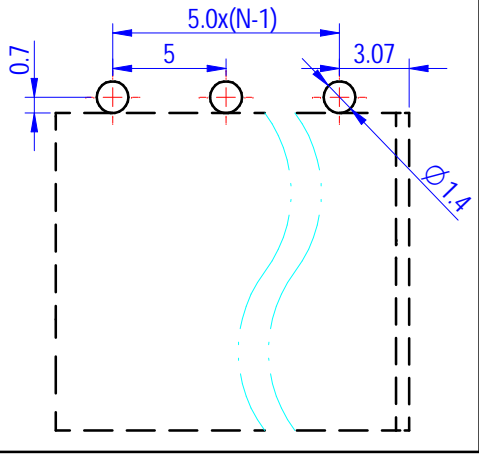
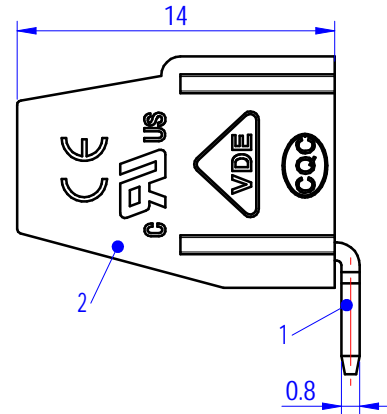
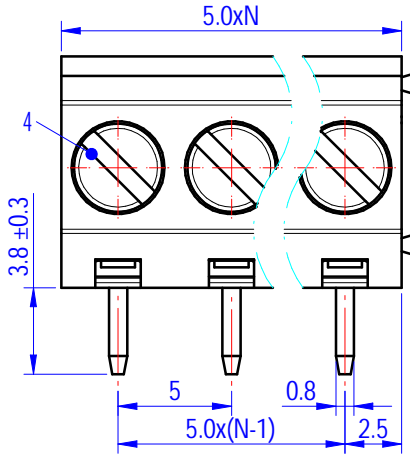
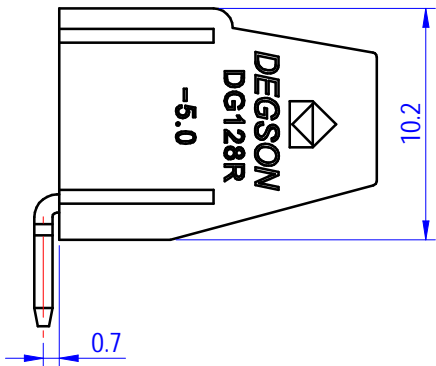
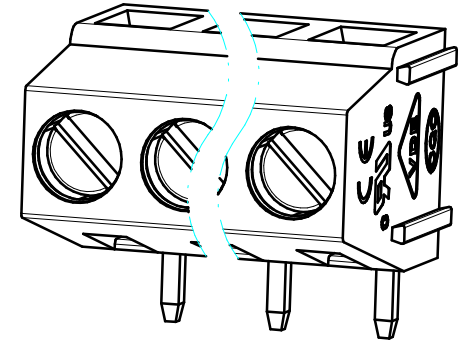
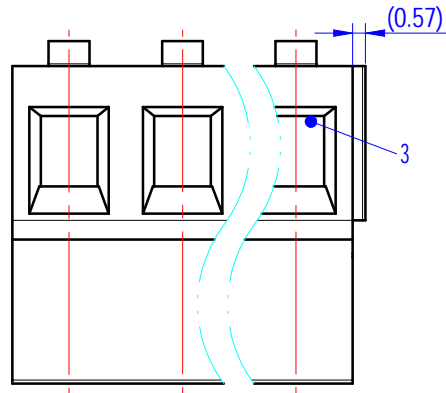


PCB LAYOUT



未注公差/General tolerances (mm)												0.1/10		
0	>3	>6	>10	>18	>30	>50	>80	>120	>180	>250	>315		>400	>500
±0.12	±0.18	±0.22	±0.26	±0.31	±0.37	±0.57	±0.80	±0.93	±1.05	±1.15	±1.60	±2.20	±2.50	±2'

If the dimensions are not marked, please refer to thr 3D file



ITEM	NAME OF PART	MATERIAL	NOTES
4	Screw	Steel	M2.5/Zn Plated
3	Cage	Copper Alloy	M2.5/Ni Plated
2	Housing	PA66	UL94V-0
1	Pin header	Copper Alloy	Sn plated

UL 标准/UL Standard:	B	C	D
额定电压/电流/Rated Voltage (V)/Current (A)	300/20	/	300/10
IEC 标准/IEC Standard:			
过压类别/Overvoltage Category/污染等级/Pollution Degree	III/3	III/2	II/2
额定电压/电流/Rated Voltage (V)/Current (A)	/	250/18	/
工频耐压/Withstanding voltage (V/1Min)	AC2000		
螺丝扭矩/Torque Tightening (N · m/Lb.in)	M2.5: 0.4/3.54		
线径范围(硬线和软线)/Wire Range (rigid and flexible) (AWG/mm²)	30~12 / 1.0~2.5		
间距/Pitch (mm)/线数范围/Poles	5.0/N=02~24P		
剥线长度/Stripping length (mm)	6~7		
使用温度范围/Operating temperature (°C)	-40~+105		
符合 RoHS 环保要求/Conform to RoHS	Yes		

DEGSON

APPD: 兰春华 2022.07.28
 CHKD: 陈招 2022.07.22
 DRFT: 袁路易 2022.07.21

MATERIAL: SURFACE/COLOR:
 MAT NO./REV: / 00 MAT STATUS: work

NAME: DG128R-5.0-XXP-1Y-00A&Z(H)

REV	ECN	DESCRIPTION	DRFT	DATE	DRAWING NO.	TYPE	DRAWING STATUS	SCALE	SHEET
00			袁路易	2022.07.21	200080099	CUSTOMER DRAWING	已发布	3:1	1/1

Transfer or duplication of this document as well as the utilization or communication of its contents are prohibited unless authorized in writing by Degson. All rights reserved for patent. 除专利号明确标注外, 未经许可, 不得复制或传播。 除专利号明确标注外, 未经许可, 不得复制或传播。 除专利号明确标注外, 未经许可, 不得复制或传播。