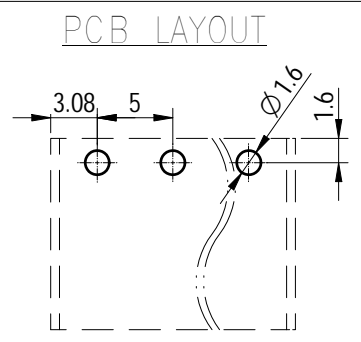
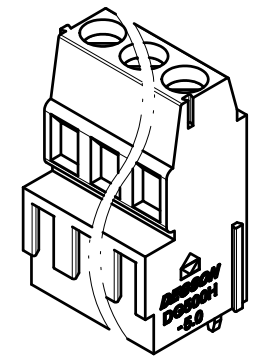
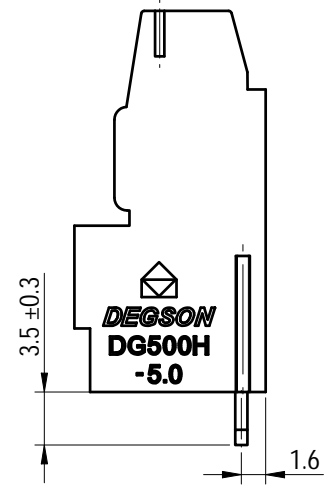
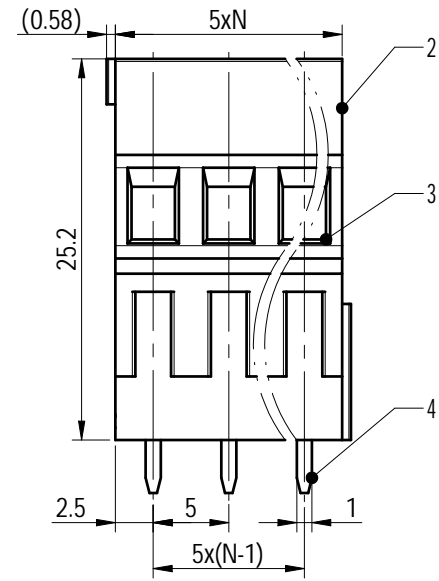
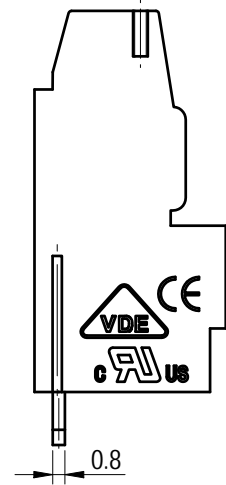
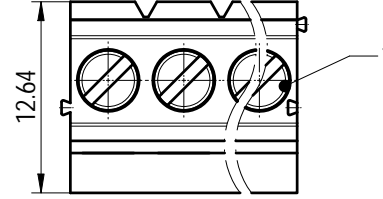


Transfer or duplication of this document as well as the utilization or communication of its contents are prohibited unless authorized in writing by Degson. All rights reserved for patent. 除专利注明情况外，其他部分均按实际情况。 未经授权，不得复制或传播。 未经授权，不得复制或传播。 未经授权，不得复制或传播。 未经授权，不得复制或传播。

未注公差/General tolerances (mm)													0.1/10 ±2'
0 ~ 3	>3 ~ 6	>6 ~ 10	>10 ~ 18	>18 ~ 30	>30 ~ 50	>50 ~ 80	>80 ~ 120	>120 ~ 180	>180 ~ 250	>250 ~ 315	>315 ~ 400	>400 ~ 500	
±0.12	±0.18	±0.22	±0.26	±0.31	±0.37	±0.57	±0.80	±0.93	±1.05	±1.15	±1.60	±2.20	±2.50
UL 标准/UL Standard:										B	C	D	
额定电压/电流/Rated Voltage(V)/Current(A)										300/20	/	300/10	
IEC 标准/IEC Standard:													
过压类别/Overvoltage Category/污染等级/Pollution Degree										III/3	III/2	II/2	
额定电压/电流/Rated Voltage(V)/Current(A)										/	250/24	/	
工频耐压/Withstanding Voltage(V/1Min)										/	AC2000	/	
螺丝扭矩/Torque Tightening(N·m/Lb.in)										M3, 0.5/4.5			
线径范围(硬线和软线)/Wire Range (rigid and flexible)(AWG/mm ²)										28~12 / 1.0~2.5			
间距/Pitch(mm)/线数范围/Poles										5.0/N=02~24P			
剥线长度/Stripping length(mm)										6~7			
使用温度范围/Operating temperature(°C)										-40~+105			
符合RoHS环保要求/Conform to RoHS										Yes			



Note:
The A&Z(H) in the name means :A(H) and Z(H).

ITEM	NAME OF PART	MATERIAL	NOTES
4	Pin header	Copper alloy	Sn Plated
3	Cage	Copper alloy	M3/Ni Plated
2	Housing	PA66	UL94V-0
1	Screw	Steel	M3/Zn Plated

		MATERIAL: /	SURFACE/COLOR: /	
APPD: 兰春华 2022.07.22		MAT NO./REV: - / 00	MAT STATUS: 批量	
CHKD: 陈招 2022.07.22		NAME		
DRFT: 柳学龙 2022.07.19		DG500H-5.0-XXP-1Y-1000A&Z(H)		
DRAWING NO.	TYPE	DRAWING STATUS	SCALE	SHEET
200098296	CUSTOMER DRAWING	已发布	2:1	1/1

REV	ECN	DESCRIPTION	DRFT	DATE
00			柳学龙	2022.07.19