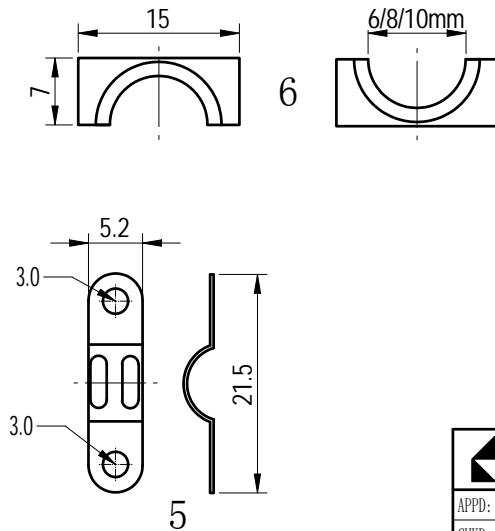
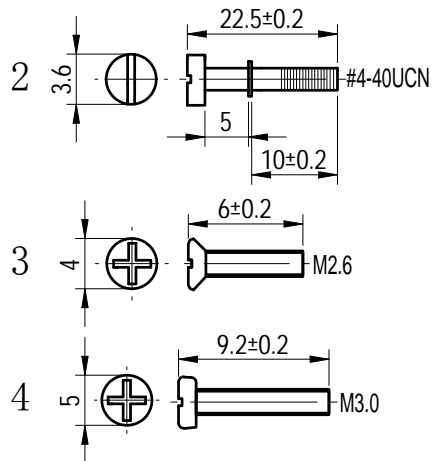
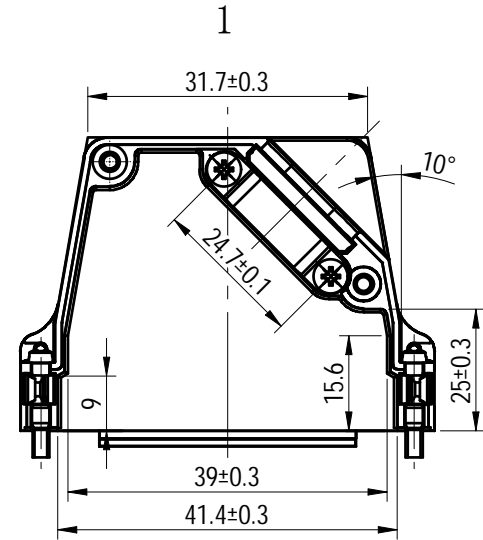
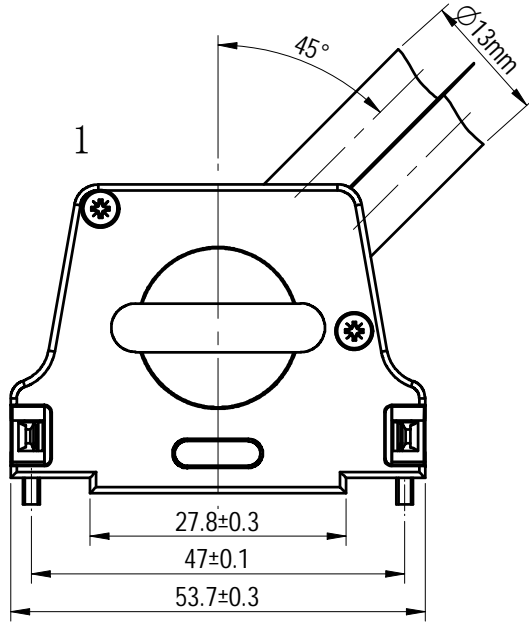
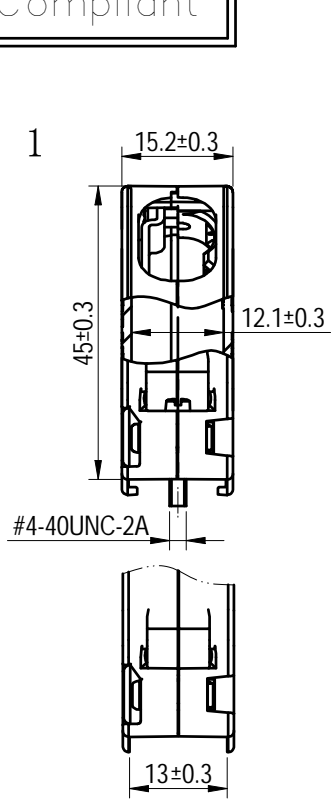


RoHS Compliant



- Material description:
- 1.Shell:zinc alloy, nickel plated surface.
 - 2.Half-tooth screw:12L14 iron-nickel plating #4-40UCN.
 - 3.Flat head screw:Fe-Ni plated M2.6 teeth.
 - 4.Round head screw:Fe-Ni plated M3.0 teeth.
 - 5.Curved metal clamp:Nickel plating on zinc alloy surface.
 - 6.Aperture clamp:Nickel plating on zinc alloy surface.

Tolerance Unspecified
 X.X ±0.38
 X.XX ±0.25
 X.XXX ±0.15
 X° ±2°
 X.X° ±1°

REV	ECN	DESCRIPTION	DRFT	DATE
00				

		MATERIAL:	SURFACE/COLOR:		
APPD:		MAT NO./REV:	/ 00	MAT STATUS: 批量	
CHKD:		NAME			
DRFT:	唐本恒	2023.9.11	DG.23004 45度 FM型DB 25P金属壳		
A4		DRAWING NO.	TYPE	DRAWING STATUS	SHEET
		200035878	CUSTOMER DRAWING	work	1/1

Transfer or duplication of this document as well as the utilization or communication of its contents are prohibited without the prior written consent of DEGSON. All rights reserved for patent. 未经授权，禁止复制或传播本文件内容。未经书面许可，不得复制或传播本文件内容。所有权利保留。 侵权必究。