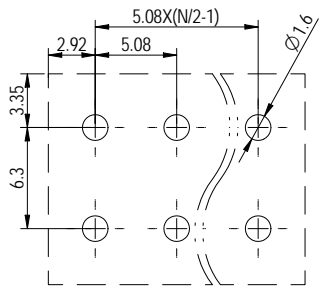
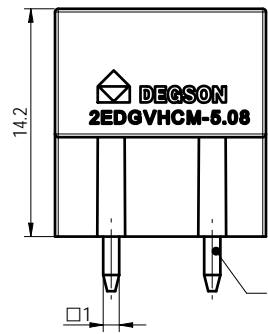
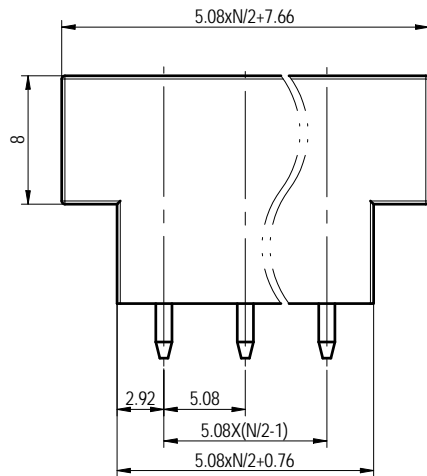
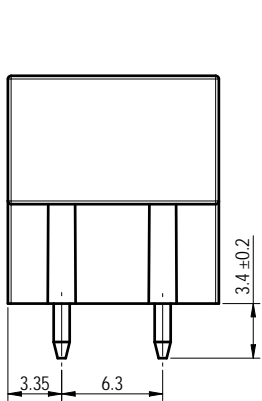
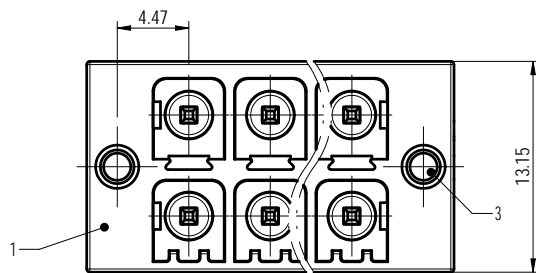
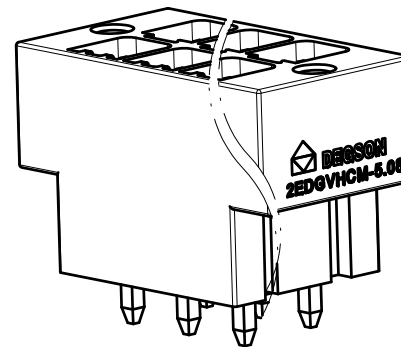


PCB LAYOUT



公差表/General tolerances (mm)											0.1/10			
0	>3	>6	>10	>18	>30	>50	>80	>120	>180	>250	>315	>400	>500	±2
~	~	~	~	~	~	~	~	~	~	~	~	~	~	
±0.12	±0.18	±0.22	±0.26	±0.31	±0.37	±0.57	±0.80	±0.93	±1.05	±1.15	±1.60	±2.20	±2.50	



ITEM	NAME OF PART	MATERIAL	NOTES
3	Nut	Steel	M2/Zn plated
2	pin	Copper	Sn plated
1	Housing	Thermoplastic	UL94V-0

UL 标准/UL Standard:		B	C	D
额定电压/电流/Rated Voltage(V)/Current(A)		300/10	/	300/10
IEC 标准/IEC Standard:				
过压类别/Overvoltage Category/污染等级/Pollution Degree		III/3	III/2	II/2
额定电压/电流/Rated Voltage(V)/Current(A)		250/8	400/8	630/8
额定脉冲电压(KV)/Rate Impulse Voltage(KV)		4	4	4
间距/Pitch(mm)/线数范围/Poles		5.08N-04-36P		
使用温度范围/Operating temperature(°C)		-40~120		
符合RoHS环保要求/Conform to RoHS		Yes		



MATERIAL:	SURFACE/COLOR:
MAT NO./REV: / 01	MAT STATUS: 批量

APPD: 兰春华	2024.04.22	NAME:	2EDGVHCM-5.08-XXP-1Y-00A(H)		
CHKD: 张玉华	2024.04.22	DRAWING NO.:	200261334	TYPE:	CUSTOMER DRAWING
DRFT: 申玉堂	2024.04.19	DRAWING STATUS:	已发布	SCALE:	1:1
REV:	ECN:	DESCRIPTION:		SHEET:	1/1

REV	ECN	DESCRIPTION	DRFT	DATE
00			申玉堂	2024.04.19

Transfer or duplication of this document as well as the utilization of its contents without the written consent of DEGSON is prohibited. All rights reserved for patent. 复制或再行发布此文件以及在没有 DEGSON 书面同意的情况下使用其内容均被禁止。所有权利均保留专利。 未经授权复制或再行发布此文件以及在没有 DEGSON 书面同意的情况下使用其内容均被禁止。所有权利均保留专利。