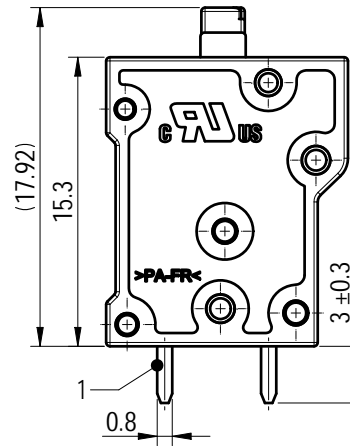
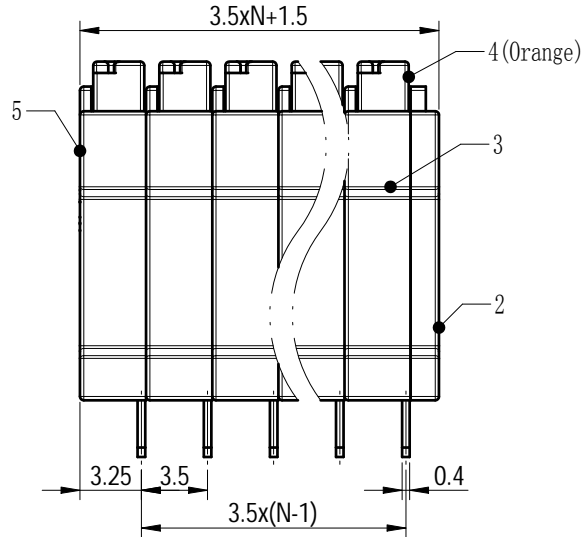
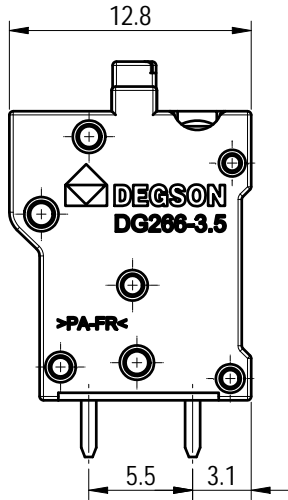
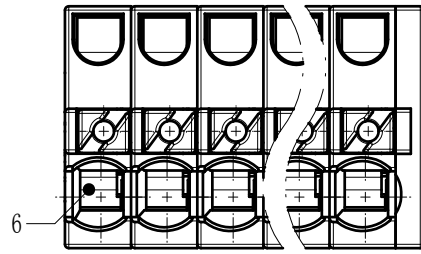
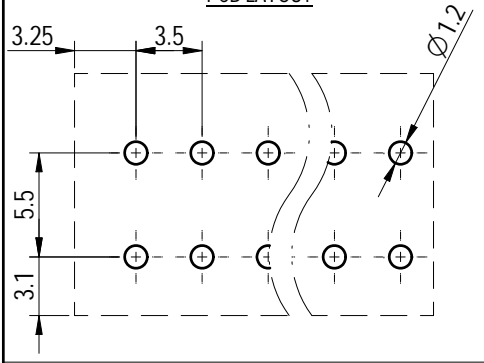
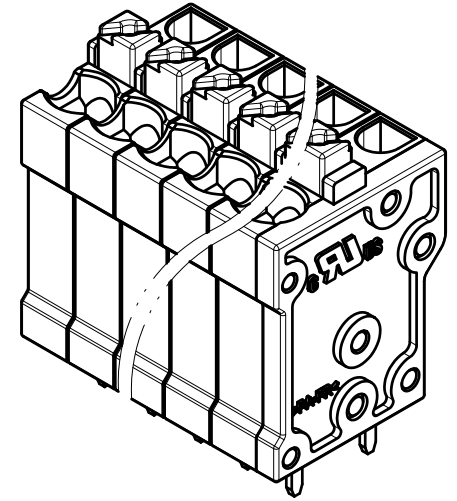


PCB LAYOUT



未注公差/General tolerances (mm)

0	>3	>6	>10	>18	>30	>50	>80	>120	>180	>250	>315	>400	>500	0.1/10
~3	~6	~10	~18	~30	~50	~80	~120	~180	~250	~315	~400	~500	>500	±2'
±0.12	±0.18	±0.22	±0.26	±0.31	±0.37	±0.57	±0.80	±0.93	±1.05	±1.15	±1.60	±2.20	±2.50	



6	Spring	Stainless Steel	/	
5	Side_Housing	PA66	UL94V-0	
4	Button	PA66-GF	UL94V-0	
3	Mid_Housing	PA66	UL94V-0	
2	Cover	PA66	UL94V-0	
1	Pin Header	Copper Alloy	Sn Plated	
ITEM	NAME OF PART	MATERIAL	NOTES	
UL 标准/UL Standard:		B	C	D
额定电压/电流/Rated Voltage(V)/Current(A)		300/10	50/10	300/10
IEC 标准/IEC Standard:				
过压类别/Overvoltage Category/污染等级/Pollution Degree		III/3	III/2	II/2
额定电压/电流/Rated Voltage(V)/Current(A)		160/10	160/10	320/10
额定脉冲电压(KV)/Rate Impulse Voltage(KV)		2.5	2.5	2.5
线径范围(硬线和软线)/Wire Range(rigid and flexible)(AWG/mm²)		28~16/ 0.2~1.5		
间距/Pitch(mm)/线数范围/Poles		3.5/N=02~24P		
剥线长度/Stripping length(mm)		10~12		
使用温度范围/Operating temperature(°C)		-40~+105		

		MATERIAL:	SURFACE/COLOR:			
		MAT NO./REV:	/ 01.01			MAT STATUS: 批量
APPD: 兰春华	2024.04.28	NAME				
CHKD: 陈招	2024.04.28	DG266-3.5-XXP-1Y-00Z (H)				
DRFT: 陈招	2024.04.28	DRAWING NO.	TYPE	DRAWING STATUS	SCALE	SHEET
		200041412	CUSTOMER DRAWING	已发布	2:1	1/1

01		1x增加UL刻字	陈招	2024.04.28
REV	ECN	DESCRIPTION	DRFT	DATE

Transfer or duplication of this document as well as the utilization or communication of its contents are prohibited unless explicit authorization is granted. Violations will be liable for compensation. All rights reserved for patent, utility model or design registrations. 除非得到明确授权, 否则禁止再行出版、复制、翻译、交流本文档中的内容。 未经授权擅自复制或传播, 侵权者将承担相关法律责任。 本公司保留国内外发明专利的所有权利。