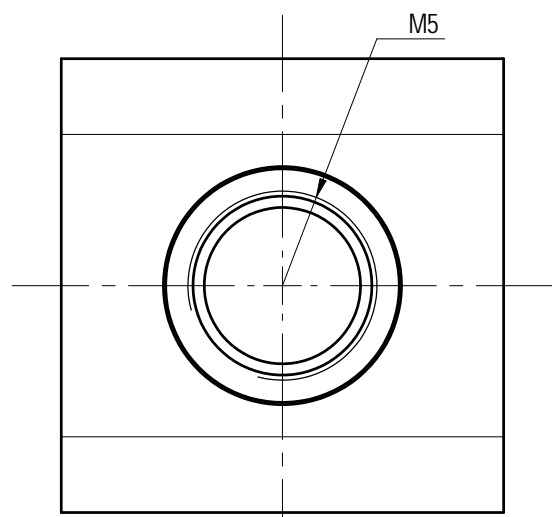
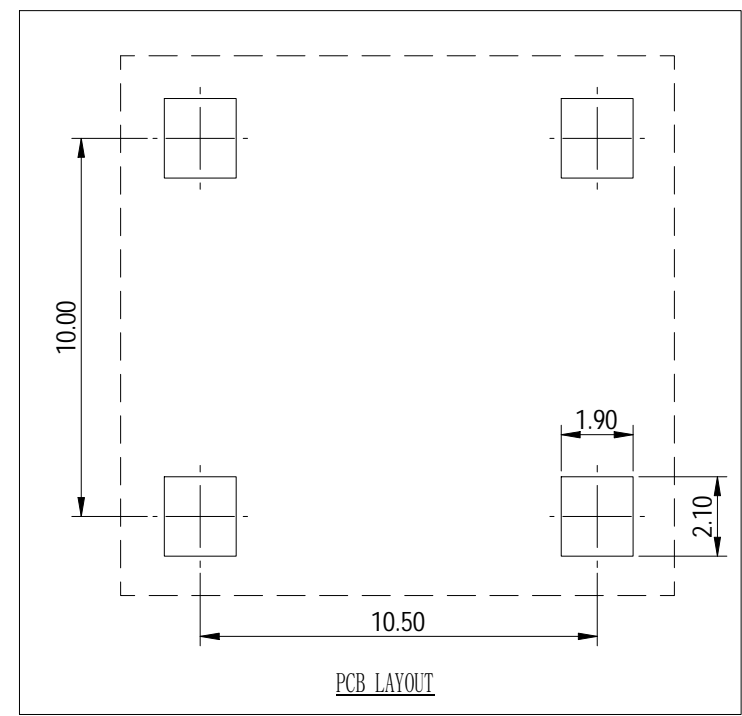
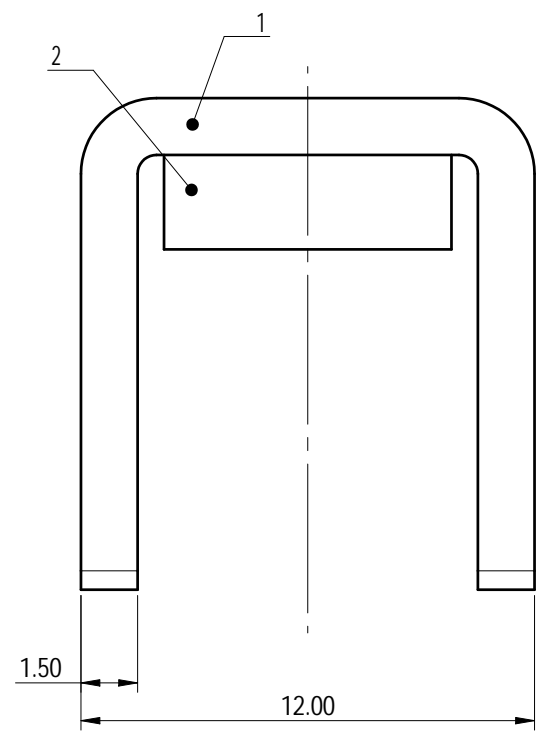
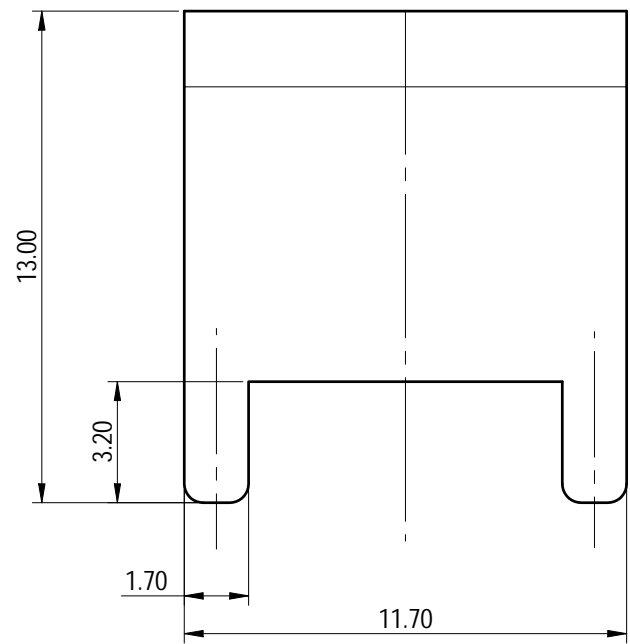


Transfer or duplication of this document as well as the utilization or communication of its contents are prohibited unless authorized in writing. All rights reserved for patent, utility model or design registrations. 除专利等明确标注外，其他内容均受法律保护。未经许可，不得复制或传播。本公司保留对产品及工艺进行修改的权利。

未注公差/General tolerances (mm)											0.1/10			
0 ~ 3	>3 ~ 6	>6 ~ 10	>10 ~ 18	>18 ~ 30	>30 ~ 50	>50 ~ 80	>80 ~ 120	>120 ~ 180	>180 ~ 250	>250 ~ 315		>315 ~ 400	>400 ~ 500	>500
±0.12	±0.18	±0.22	±0.26	±0.31	±0.37	±0.57	±0.80	±0.93	±1.05	±1.15	±1.60	±2.20	±2.50	±2'



M5



PCB LAYOUT

2	Nut	Steel	Sn Plated
1	Pin header	Copper alloy	Sn Plated
ITEM	NAME OF PART	MATERIAL	NOTES
额定电流/Current(A)			80A
螺丝扭矩/Torque Tightening(N·m/Lb.in)			M5, 2.4/21.05
符合RoHS环保要求/Conform to RoHS			Yes

DEGSON		MATERIAL:	SURFACE/COLOR:
APPD: 蓝贵凡 2024.04.09		MAT NO./REV: 10900000089-1 / 00	MAT STATUS: 批量
CHKD: 曹利彬 2024.04.09		NAME	
DRFT: 姜民洁 2024.04.09		K68-00Z (H)	
DRAWING NO.	TYPE	DRAWING STATUS	SCALE
200274312	CUSTOMER DRAWING	已发布	5:1
SHEET		1/1	

00			姜民洁	2024.04.09
REV	ECN	DESCRIPTION	DRFT	DATE