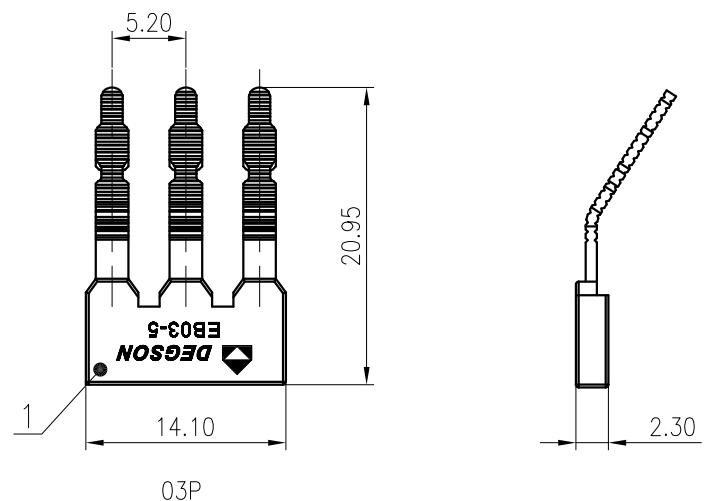
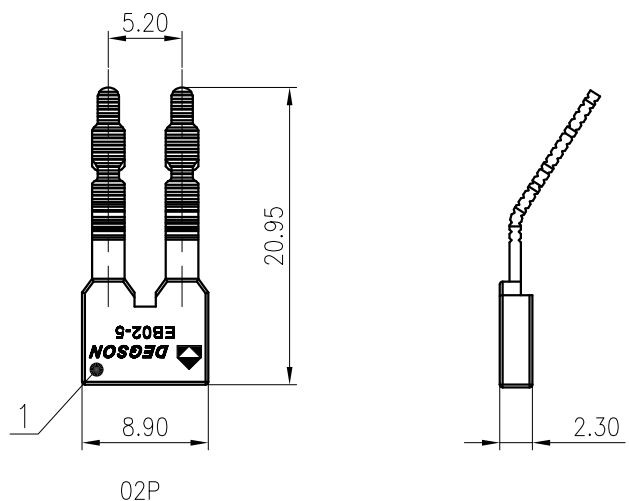


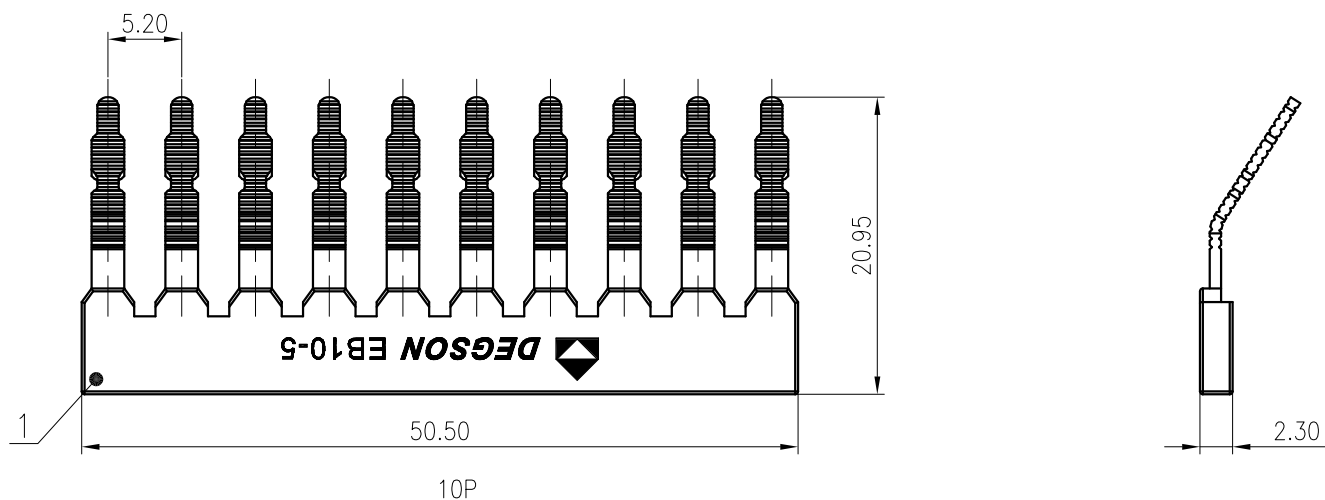
未注公差/General tolerances(mm)													0.1/10	
0 ~ 3	>3 ~ 6	>6 ~ 10	>10 ~ 18	>18 ~ 30	>30 ~ 50	>50 ~ 80	>80 ~ 120	>120 ~ 180	>180 ~ 250	>250 ~ 315	>315 ~ 400	>400 ~ 500		>500
±0.12	±0.18	±0.22	±0.26	±0.31	±0.37	±0.57	±0.80	±0.93	±1.05	±1.15	±1.60	±2.20	±2.50	±2'

A



B

C



D

ITEM	NAME OF PART	MATERIAL	NOTES
1	Bridge		
间距/Pitch(mm)/线数范围/Poles		5.2/N=02P,03P,10P	
使用温度范围/Operating temperature(°C)		-40~+105	
符合RoHS环保要求/Conform to RoHS		Yes	

REV	ECN	DESCRIPTION	DRFT	DATE

MATERIAL: /		SURFACE: /	
MAT NO.: /		宁波高松电子有限公司 NINGBO DEGSON ELECTRICAL CO., LTD	
STATUS: /			
APPD: Li GL 2020.06.10		NAME: EBXX-5-1Y-00A(H)	
CHKD: Mao J 2020.06.10		DRAWING NO.: EBXX-5-C01	
DRFT: Chen K 2020.06.03		REV TO	
SIZE: A4		TYPE: CUSTOMER DRAWING	
		SCALE: 2:1 SHEET 1/1	

1

2

3

4

5

6