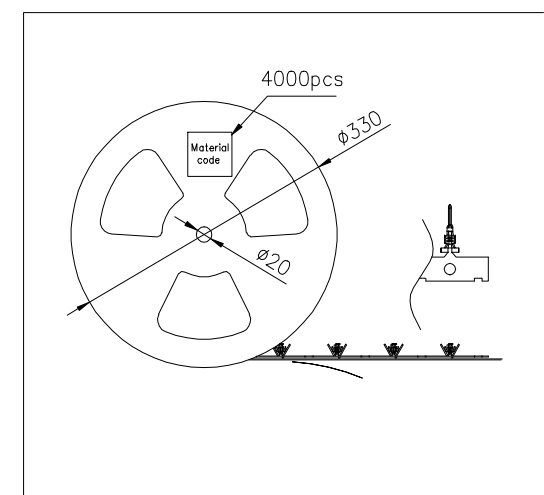
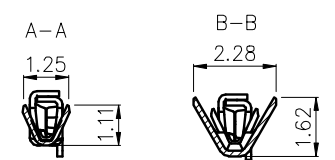
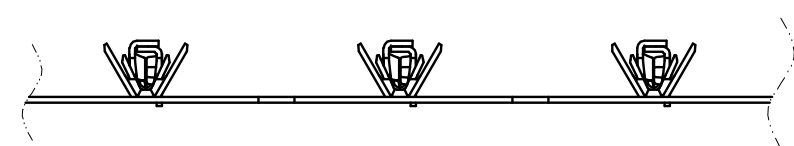
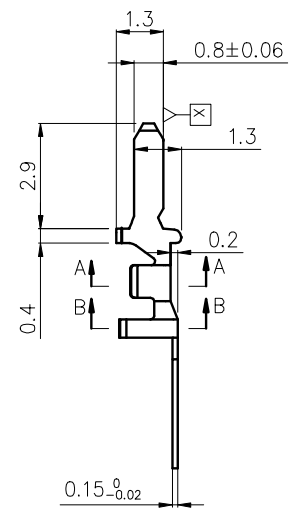
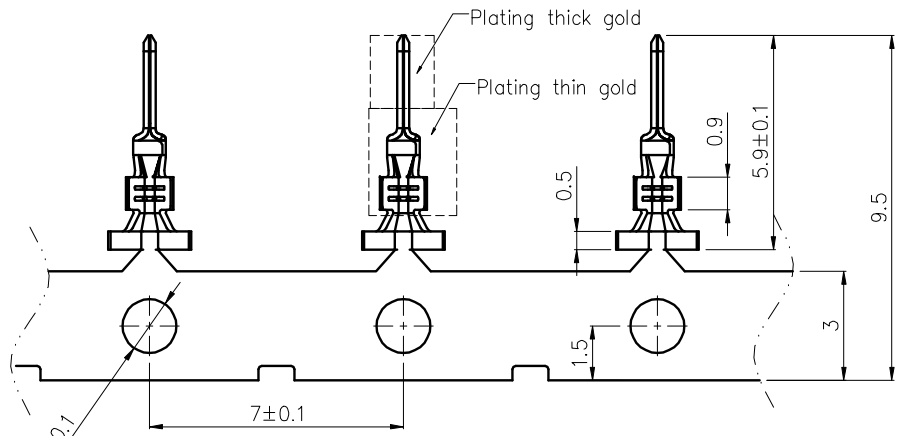
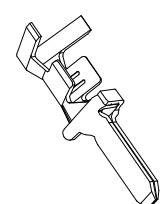


REVISION RECORD				
REV	ECN	DESCRIPTION	DRFT	DATE



- NOTES:
1. Material: Copper alloy ,T=0.15mm
 2. Surface treatment:nickel plated all over gold plated at contact area
 3. xxxx Pieces of contact are supplied in reel
 4. Wire size: AWG#28~#26(0.088mm²~0.16mm²)
 5. Insulation outer diameter:φ0.64~φ1.20
 6. Tolerance: .x ±0.1
.xx ±0.05
∠ ± 1°



ISO2768-m

线性尺寸公差(mm)							
0.5	3	6	30	120	400	1000	2000
~3	~6	~30	~120	~400	~1000	~2000	~4000
±0.10	±0.10	±0.20	±0.30	±0.50	±0.80	±1.20	±2.00

DETACHED LISTS	PART NO.: 24030000011
	APPD:
	CHKD:
	DRFT: GQ 2019.04.02

宁波德松电子有限公司 NINGBO DEGSON ELECTRICAL CO., LTD	
NAME: DGFA-01A(H)	
TITLE: CUSTOMER DRAWING	REV: DO-1
DRAWING NO.: 24000001	SHEET: 1/1
MM (INCH) DO NOT SCALE DRAWING	SCALE: 1:1

